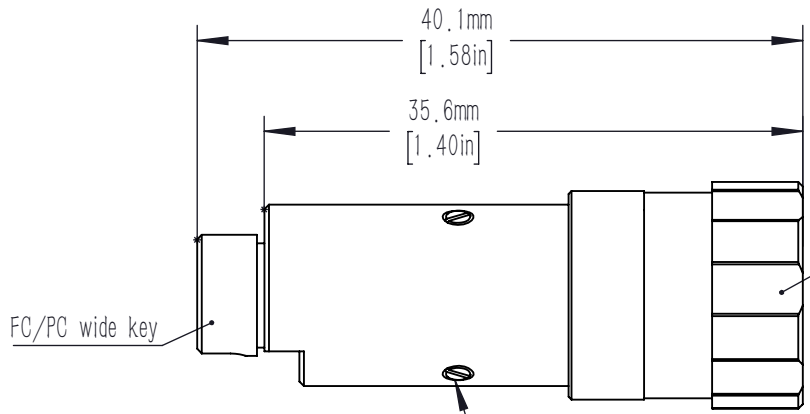
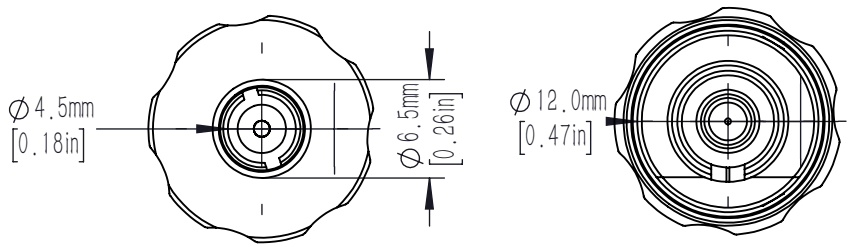


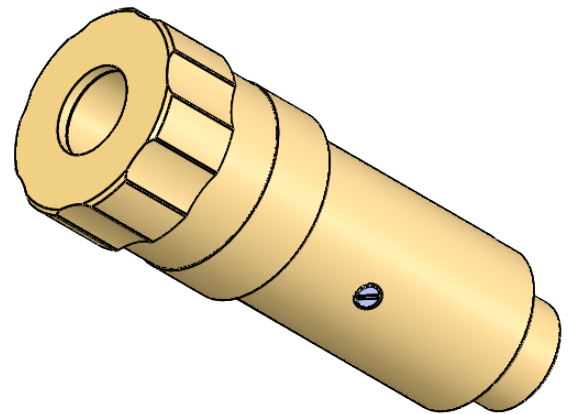
Pin screw for additional locking of the fiber ferrule.



adjustment of focus setting

FC/PC wide key

clamp screws for locking optics position (2x120°)



- notes,
- 1.focal length: 11 mm
 - 2.Waist beam spot diameter: 2.06 mm@ 515 nm 460HP
 - 3.Interface type: FC/PC
 - 4.Lens type: Double glued achromatic lens
 - 5.Collimation divergence angle: $\leq 0.025^\circ$
 - 6.Lens coating: $R_{avg} \leq 0.5\% @ 400 - 700 \text{ nm}$

DRAWING PROJECTION			LBTEK			
	NAME	DATE				
DRAWN	BSHU	2025/9/8	FIBER COLLIMATOR			
APPROVAL	WCHENG	2025/9/8	MATERIAL	WEIGHT	SCALE	REV
FOR INFORMATION ONLY NOT FOR MANUFACTURING PURPOSES			Silicon brass	29 g	2:1	A