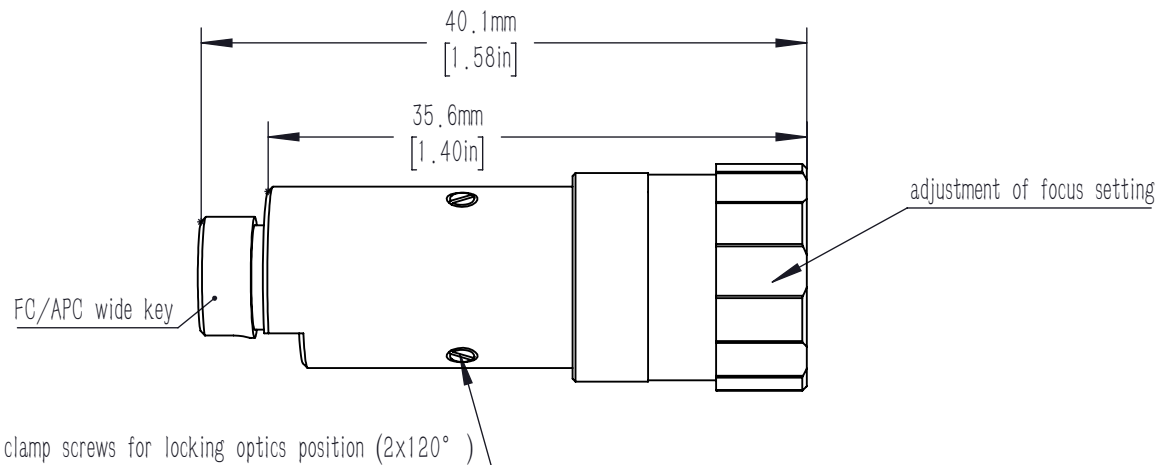
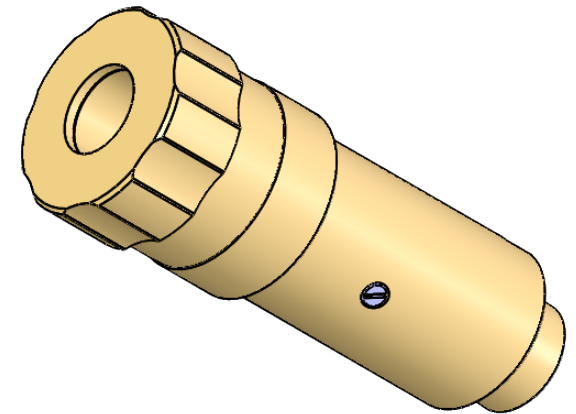
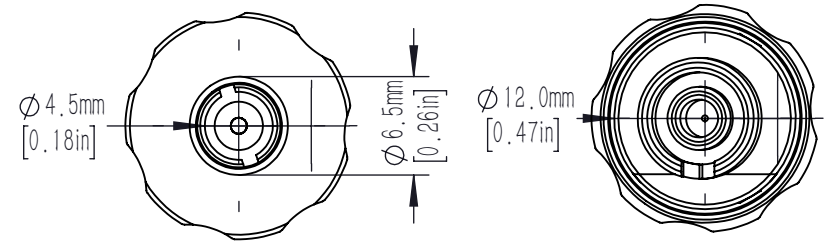


Pin screw for additional locking of the fiber ferrule.



clamp screws for locking optics position (2x120°)

notes.

- 1.focal length: 11 mm
- 2.Waist beam spot diameter: 2.38 mm@ 850 nm 780HP
- 3.Interface type: FC/APC
- 4.Lens type: Double glued achromatic lens
- 5.Collimation divergence angle: $\leq 0.031^\circ$
- 6.Lens coating: $R_{\text{avg}} \leq 0.5\% @ 700 - 1100 \text{ nm}$

DRAWING PROJECTION			LBTEK			
	NAME	DATE				
DRAWN	BSHU	2025/9/8	FIBER COLLIMATOR			
APPROVAL	WCHENG	2025/9/8	MATERIAL	WEIGHT	SCALE	REV
FOR INFORMATION ONLY NOT FOR MANUFACTURING PURPOSES			Silicon brass	29 g	2:1	A