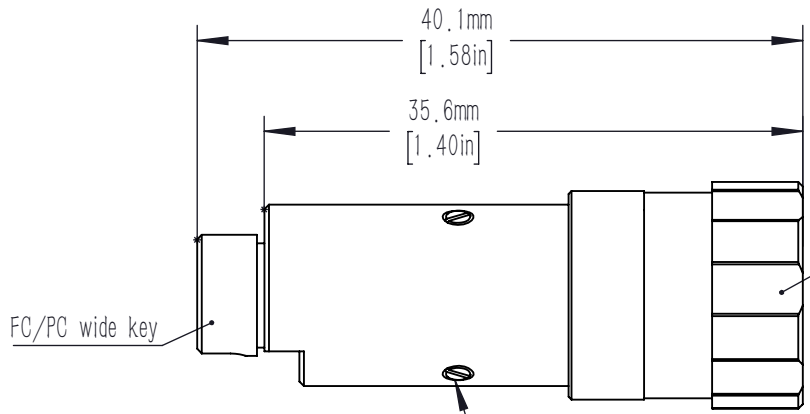
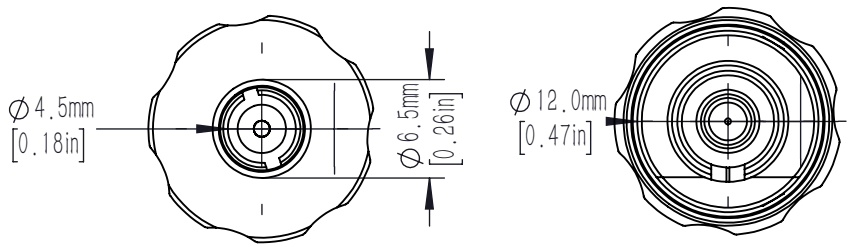
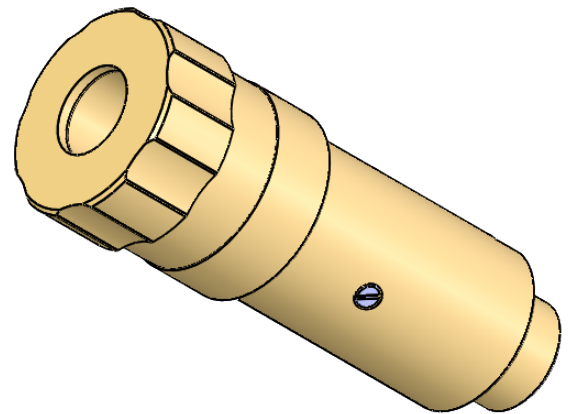


Pin screw for additional locking of the fiber ferrule.



adjustment of focus setting

clamp screws for locking optics position (2x120°)



- notes,
- 1.focal length: 11 mm
  - 2.Waist beam spot diameter: 2.38 mm@ 850 nm 780HP
  - 3.Interface type: FC/PC
  - 4.Lens type: Double glued achromatic lens
  - 5.Collimation divergence angle:  $\leq 0.031^\circ$
  - 6.Lens coating:  $R_{avg} \leq 0.5\% @ 700 - 1100 \text{ nm}$

DRAWING PROJECTION			<b>LBTEK</b>			
	NAME	DATE				
DRAWN	BSHU	2025/9/8	FIBER COLLIMATOR			
APPROVAL	WCHENG	2025/9/8	MATERIAL	WEIGHT	SCALE	REV
FOR INFORMATION ONLY NOT FOR MANUFACTURING PURPOSES			Silicon brass	29 g	2:1	A