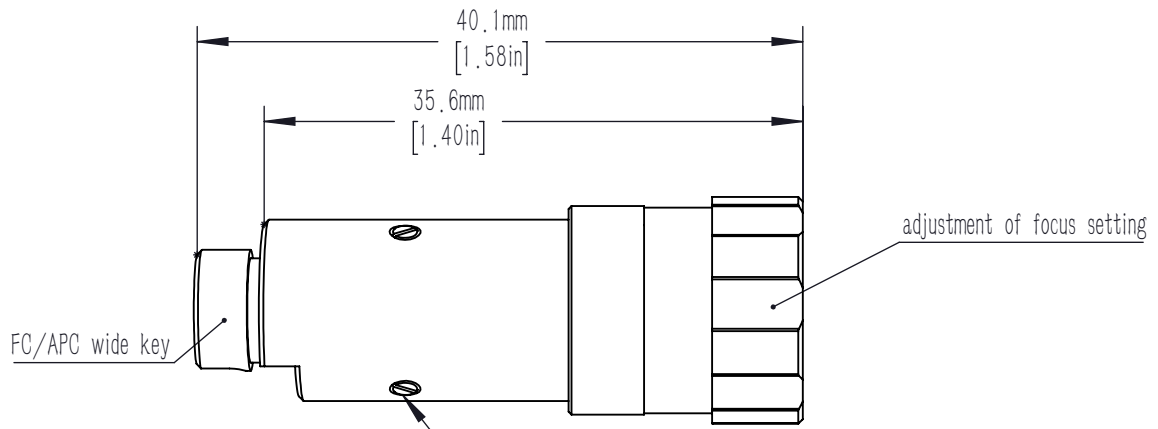
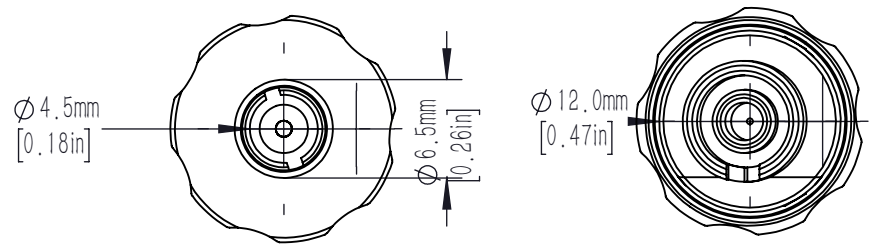
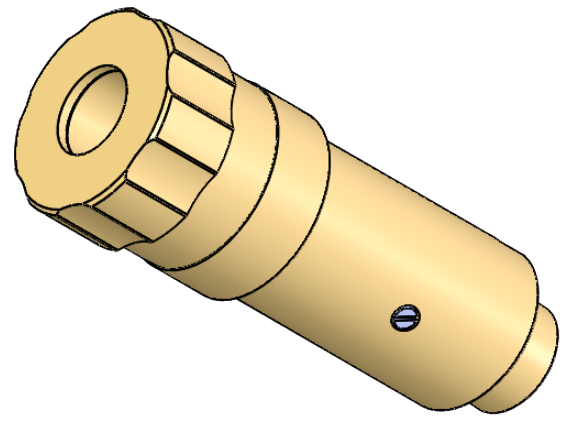


Pin screw for additional locking of the fiber ferrule.



clamp screws for locking optics position (2x120°)



- notes,
- 1.focal length: 4.5 mm
 - 2.Waist beam spot diameter: 0.976 mm@ 850 nm 780HP
 - 3.Interface type: FC/APC
 - 4.Lens type: Double glued achromatic lens
 - 5.Collimation divergence angle: $\leq 0.07^\circ$
 - 6.Lens coating: $R_{\text{avg}} \leq 0.5\% @ 700-1100 \text{ nm}$

DRAWING PROJECTION			LBTEK			
	NAME	DATE				
DRAWN	BSHU	2025/9/9	FIBER COLLIMATOR			
APPROVAL	WCHENG	2025/9/9	MATERIAL	WEIGHT	SCALE	REV
FOR INFORMATION ONLY NOT FOR MANUFACTURING PURPOSES			Silicon brass	29 g	2:1	A