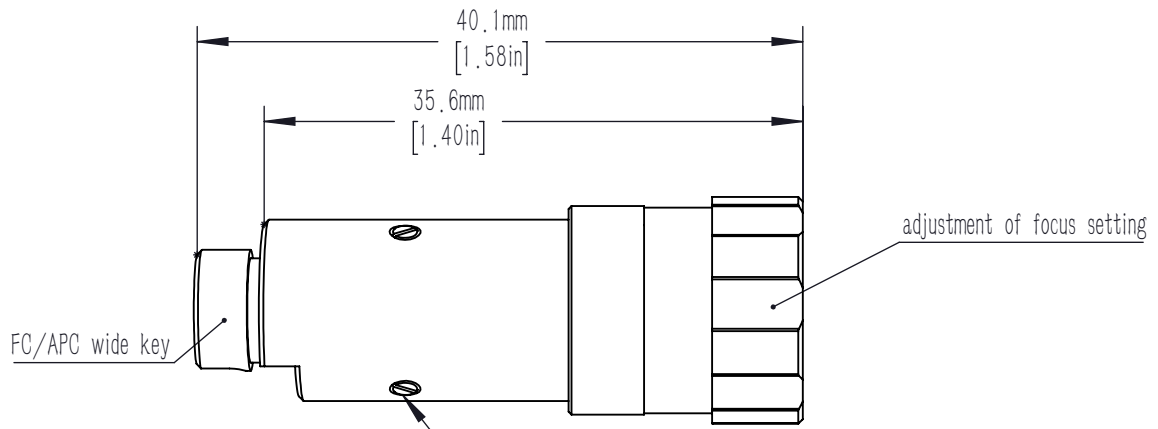
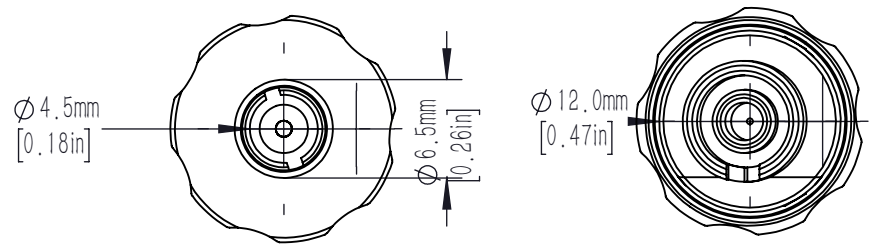


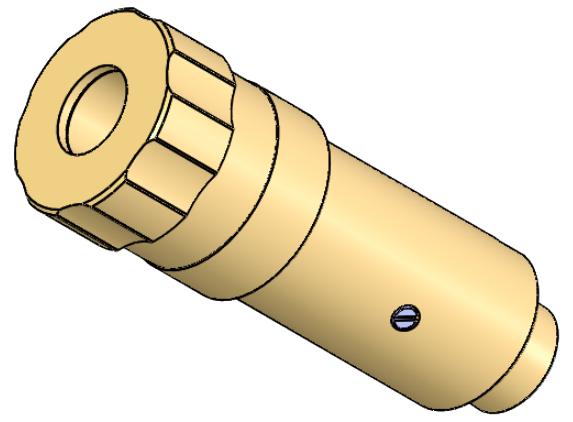
Pin screw for additional locking of the fiber ferrule.



adjustment of focus setting

FC/APC wide key

clamp screws for locking optics position (2x120°)



- notes,
- 1.focal length: 4.5 mm
 - 2.Waist beam spot diameter: 0.862 mm@ 1550 nm smf28e
 - 3.Interface type: FC/APC
 - 4.Lens type: Double glued achromatic lens
 - 5.Collimation divergence angle: $\leq 0.13^\circ$
 - 6.Lens coating: $R_{\text{avg}} \leq 0.5\% @ 1050-1650 \text{ nm}$

DRAWING PROJECTION			LBTEK			
NAME	DATE	PRADFC4-4.5-C-APC				
DRAWN	BSHU	2025/9/23	FIBER COLLIMATOR			
APPROVAL	WCHENG	2025/9/23	MATERIAL	WEIGHT	SCALE	REV
FOR INFORMATION ONLY NOT FOR MANUFACTURING PURPOSES			Silicon brass	29 g	2:1	A