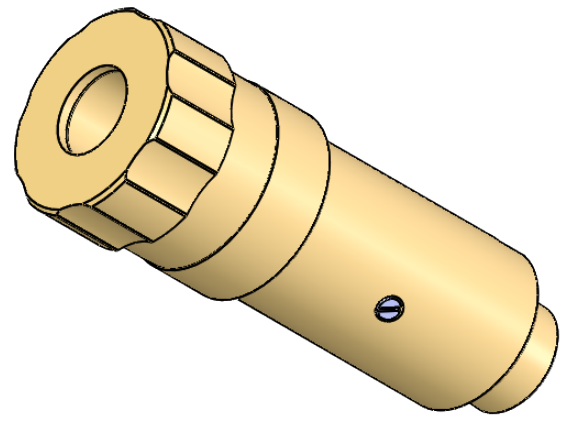
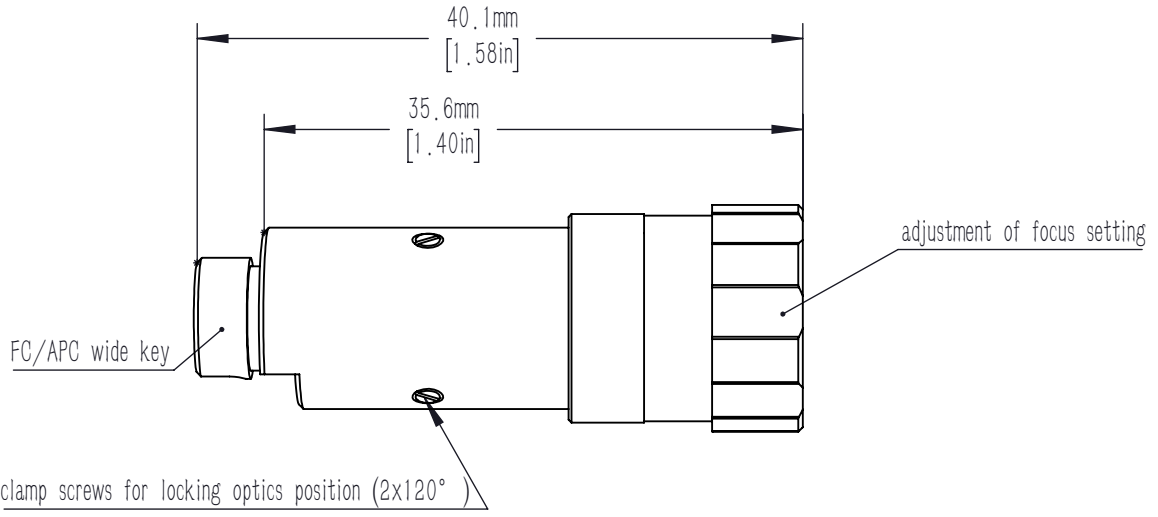
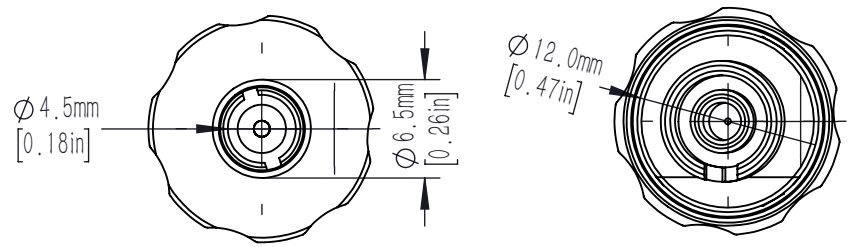


Pin screw for additional locking of the fiber ferrule.



- notes:
- 1.focal length: 7.5 mm
 - 2.Waist beam spot diameter: 1.63 mm@ 850 nm 780HP
 - 3.Interface type: FC/APC
 - 4;Lens type: Double glued achromatic lens
 - 5;Collimation divergence angle: $\leq 0.044^\circ$
 - 6.Lens coating: $R_{avg} \leq 0.5\% @ 700 - 1100 \text{ nm}$

DRAWING PROJECTION			LBTEK			
	NAME	DATE				
DRAWN	BSHU	2025/9/8	FIBER COLLIMATOR			
APPROVAL	WCHENG	2025/9/8	MATERIAL	WEIGHT	SCALE	REV
FOR INFORMATION ONLY NOT FOR MANUFACTURING PURPOSES			Silicon brass	29 g	2:1	A