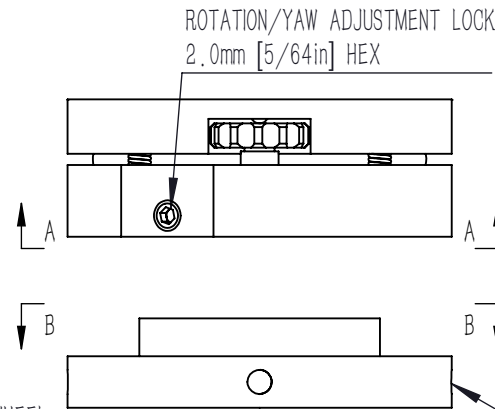
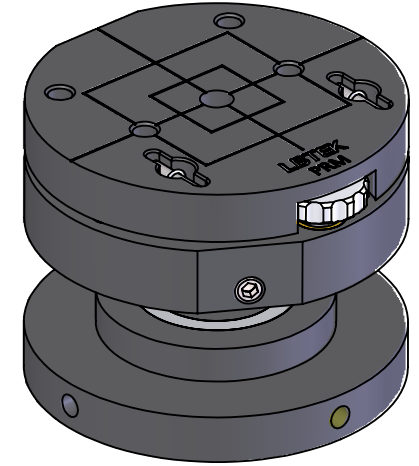


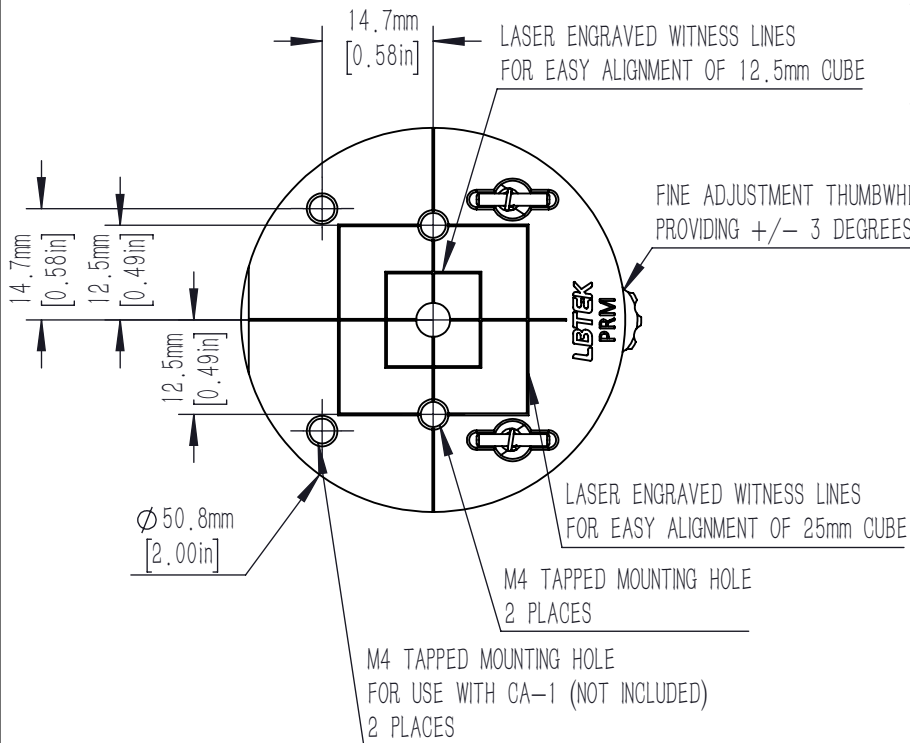
M4 CLEARANCE HOLE
FOR USE WITH SOCKET HEAD CAP SCREW
(ONE M4 x 10.0mm SCREW INCLUDED)
REMOVE MAGNETIC BASE TO ACCESS



ROTATION/YAW ADJUSTMENT LOCK
2.0mm [5/64in] HEX



REMOVE MAGNETIC BASE
TO ACCESS M6 [0.25in] COUNTERBORE
MOUNTING HOLE



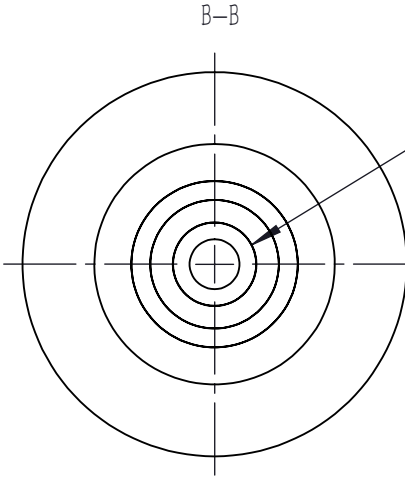
LASER ENGRAVED WITNESS LINES
FOR EASY ALIGNMENT OF 12.5mm CUBE

FINE ADJUSTMENT THUMBWHEEL
PROVIDING +/- 3 DEGREES OF PITCH ADJUSTMENT

LASER ENGRAVED WITNESS LINES
FOR EASY ALIGNMENT OF 25mm CUBE

M4 TAPPED MOUNTING HOLE
2 PLACES

M4 TAPPED MOUNTING HOLE
FOR USE WITH CA-1 (NOT INCLUDED)
2 PLACES



M6 [0.25in] CLEARANCE HOLE
FOR USE WITH SOCKET HEAD CAP SCREW
(NOT INCLUDED)
REMOVE MAGNETIC BASE TO ACCESS

DRAWING PROJECTION			LBTEK			
	NAME	DATE				
DRAWN	KZH	DEC./6th/22	PITCH REVOLVE MOUNT			
APPROVAL	ZXU	DEC./6th/22	MATERIAL	WEIGHT	SCALE	REV
FOR INFORMATION ONLY NOT FOR MANUFACTURING PURPOSES			N/A	0.123 Kg	1:1	B