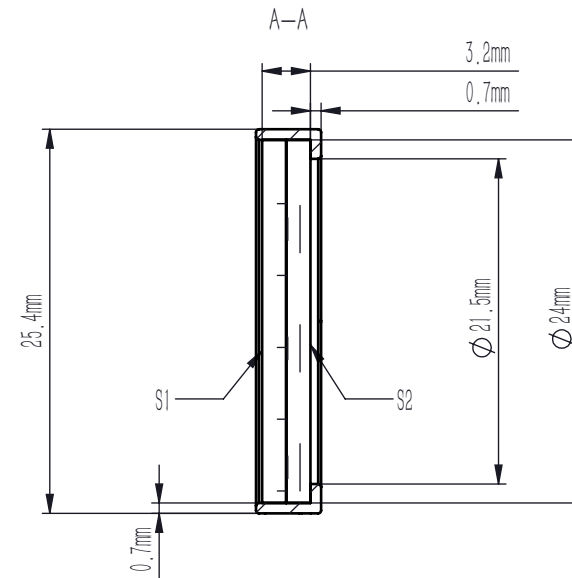


Polarization direction of incident light corresponding to the maximum outgoing light intensity



NOTE:

1. COMPONENT MATERIAL: Polarizer Film/N-BK7
2. COMPONENT DIAMETER: $\varnothing 24 +0/-0.1$ mm
3. COMPONENT THICKNESS: 3.2 ± 0.1 mm
4. CLEAR APERTURE: $\varnothing 21.5$ mm
5. WORKING WAVELENGTH: 400-700 nm
6. SURFACE QUALITY(S/D): 40/20
7. AR coating(S1, S2): $R_{avg} < 0.5 \% @ 400-700$ nm

| | | | | | | |
|--|--------|-------------|---------------------------------|--------|-------|-----|
| DRAWING PROJECTION | | | LBTEK | | | |
| | NAME | DATE | RCP25-VIS-M | | | |
| DRAWN | SHAN | Aug./5th/24 | Right-handed Circular Polarizer | | | |
| APPROVAL | WCHENG | Aug./5th/24 | MATERIAL | WEIGHT | SCALE | REV |
| FOR INFORMATION ONLY NOT FOR MANUFACTURING PURPOSES | | | Polarizer Film/N-BK7 | 4.6 g | 2:1 | B |