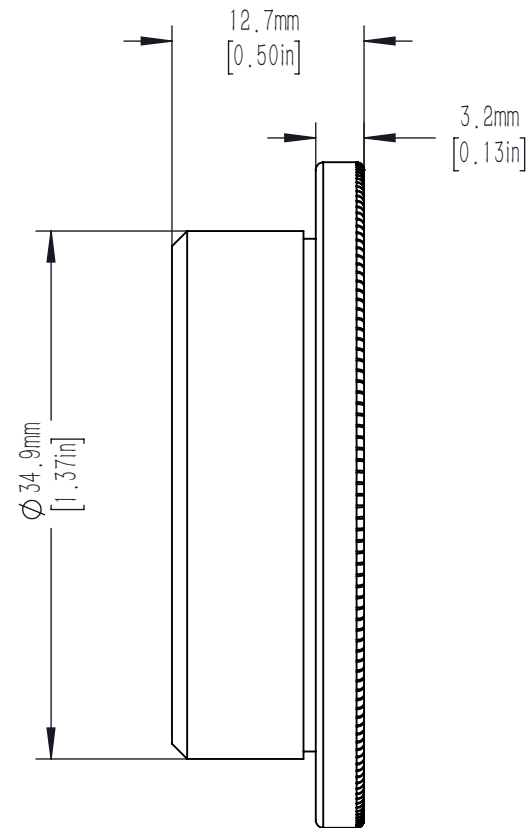


SM1 (1.035in-40) SERIES INTERNAL THREAD  
ACCEPTS  $\phi 25.4\text{mm}$  [ 1.00in]  
1 SM1R RETAINING RINGS INCLUDED  
 $\phi 23.0\text{mm}$  [ 0.90in] CLEAR APERTURE



DRAWING PROJECTION			<b>LBTEK</b>			
	NAME	DATE	RME-1A			
DRAWN	YCH	MAR./6th/20	ROTARY MOUNTING FRAME EMBEDDED			
APPROVAL	ZHE	MAR./6th/20	MATERIAL	WEIGHT	SCALE	REV
FOR INFORMATION ONLY NOT FOR MANUFACTURING PURPOSES			N/A	0.021 Kg	2:1	B