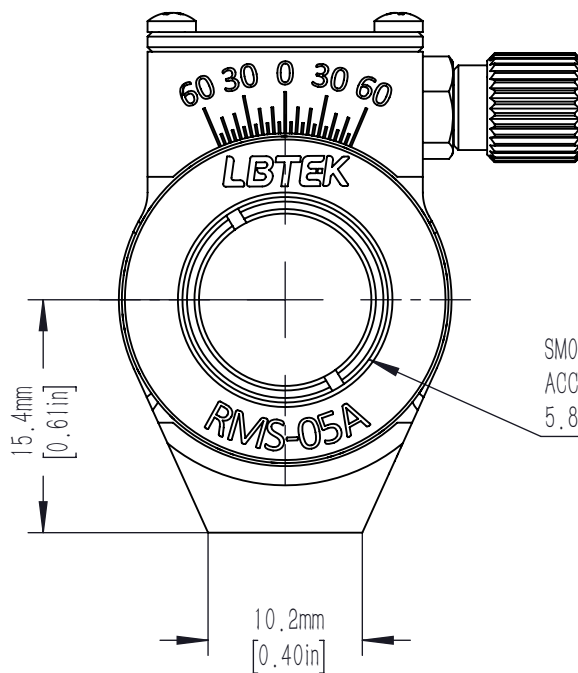
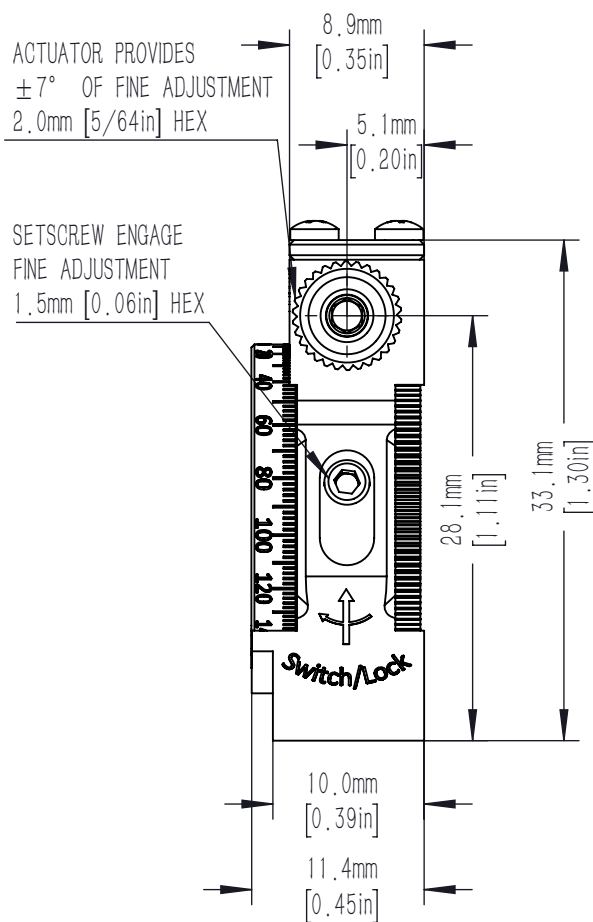
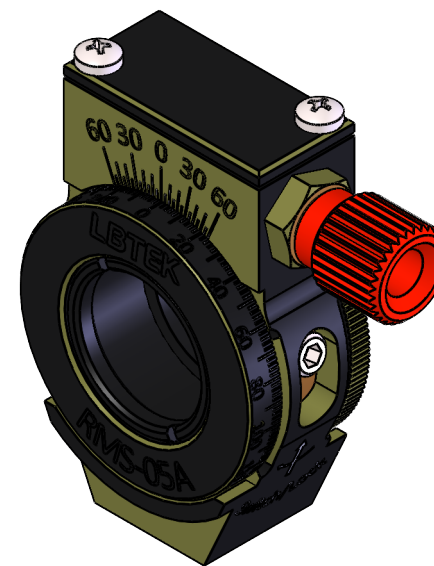
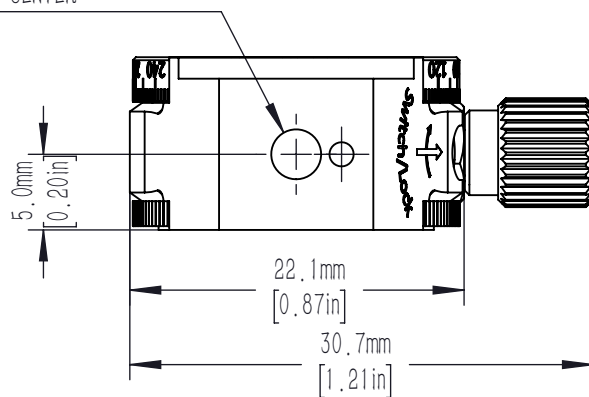


M4 x 0.7 MOUNTING HOLE
 4.6mm [0.18in] DEEP
 ON CENTER



SM05 (0.535-40) INTERNAL THREAD
 ACCEPTS 12.7mm [0.50in] OPTICS
 5.8mm [0.23in] THICK

DRAWING PROJECTION			LBTEK			
	NAME	DATE	RMS-05A			
DRAWN	GWE	AUG./14th/25	Ø0.50in PRECISION ROTATION MOUNT			
APPROVAL	YLI	AUG./14th/25	MATERIAL	WEIGHT	SCALE	REV
FOR INFORMATION ONLY NOT FOR MANUFACTURING PURPOSES			N/A	0.017 Kg	2:1	A