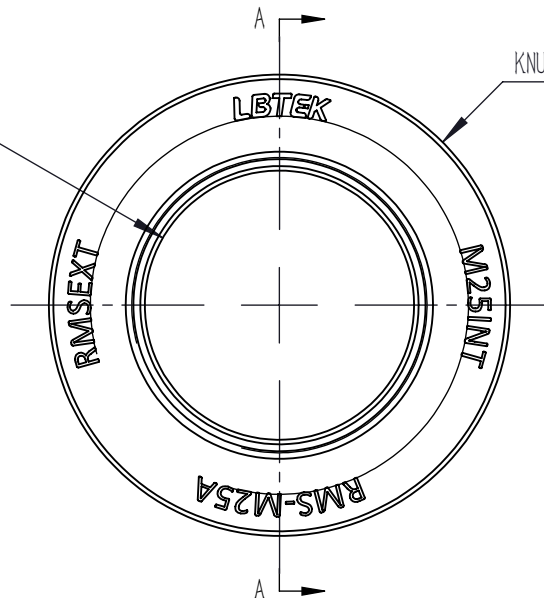
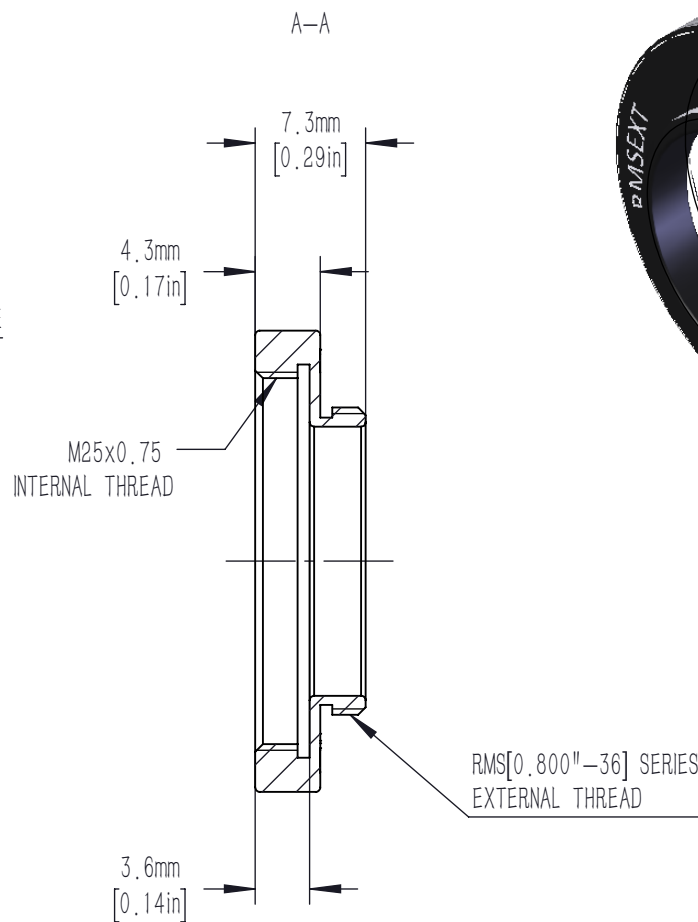


Ø 17.8mm
[0.70in]
CLEAR APERTURE



Ø 30.5mm
[1.20in]
KNURLED SURFACE



DRAWING PROJECTION			LBTEK			
	NAME	DATE				
DRAWN	YCH	NOV./20th/20	RMS TO M25x0.75 ADAPTER			
APPROVAL	ZHE	NOV./20th/20	MATERIAL	WEIGHT	SCALE	REV
FOR INFORMATION ONLY NOT FOR MANUFACTURING PURPOSES			ALUMINUM	0.01 Kg	2:1	B