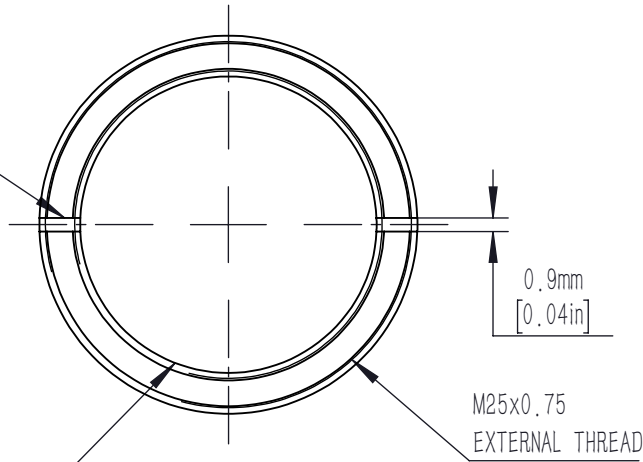
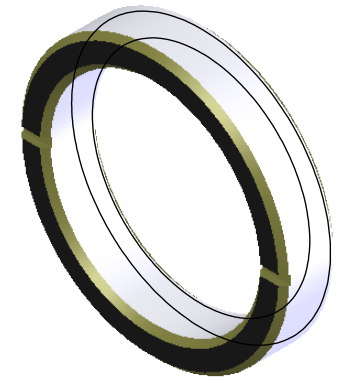
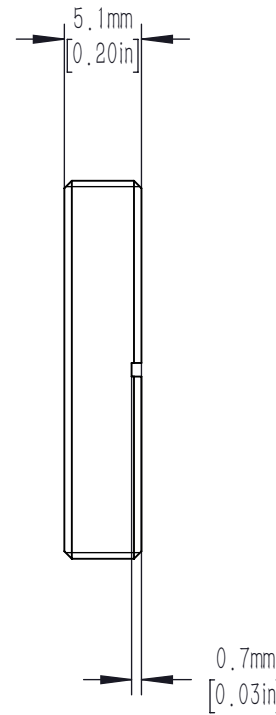


SPANNER WRENCH SLOTS  
FOR USE WITH OWR-U  
(NOT INCLUDED)



RMS[0.800"-36] SERIES  
INTERNAL THREAD



DRAWING PROJECTION			<b>LBTEK</b>			
	NAME	DATE	RMS-M25B			
DRAWN	YCH	NOV./20th/20	M25x0.75 TO RMS ADAPTER			
APPROVAL	ZHE	NOV./20th/20	MATERIAL	WEIGHT	SCALE	REV
FOR INFORMATION ONLY NOT FOR MANUFACTURING PURPOSES			ALUMINUM	0.01 Kg	2:1	B