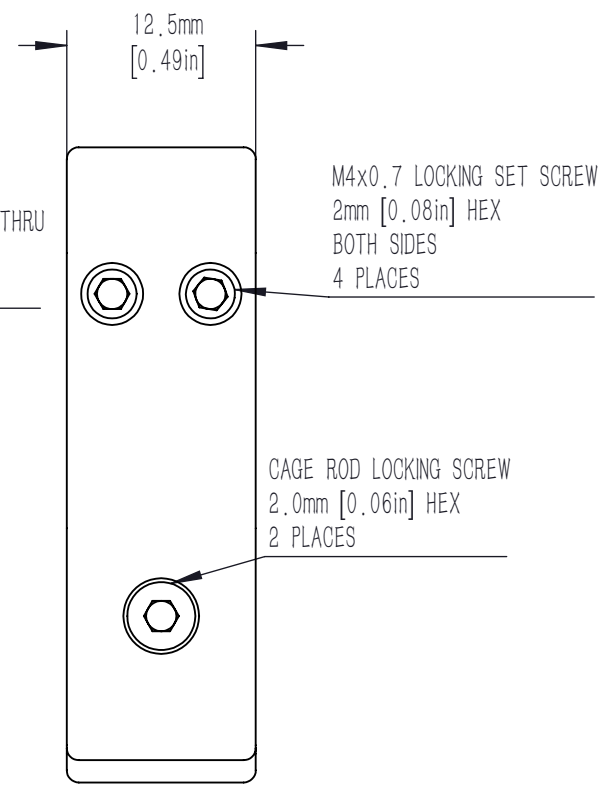
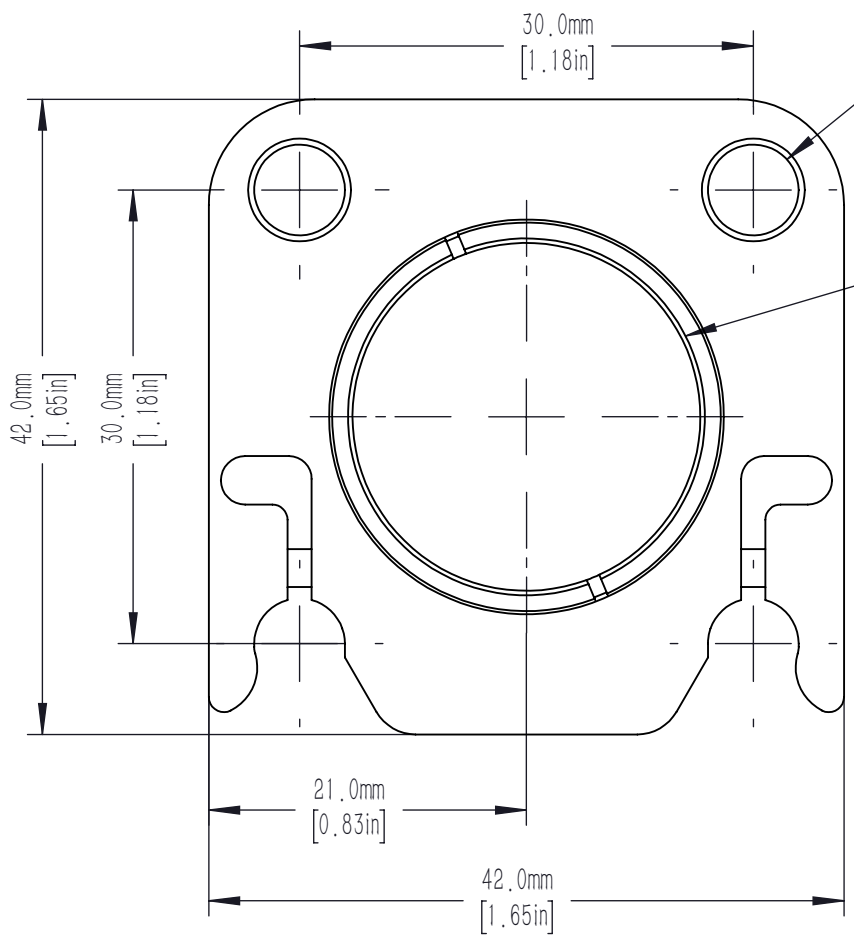


4X  $\phi$  6.0mm [0.24in] THRU HOLES FOR USE WITH MOP SERIES RODS

SM1 (1.035"-40) SERIES INTERNAL THREAD THRU TWO SM1R RETAINING RINGS INCLUDED  $\phi$  23mm [0.91in] CLEAR APERTURE



M4x0.7 LOCKING SET SCREW  
2mm [0.08in] HEX  
BOTH SIDES  
4 PLACES

CAGE ROD LOCKING SCREW  
2.0mm [0.06in] HEX  
2 PLACES

DRAWING PROJECTION			<b>LBTEK</b>			
	NAME	DATE				
DRAWN	YCH	MAR./6th/20	30mm CAGE PLATE			
APPROVAL	ZHE	MAR./6th/20	MATERIAL	WEIGHT	SCALE	REV
FOR INFORMATION ONLY NOT FOR MANUFACTURING PURPOSES			N/A	0.038 Kg	2:1	B