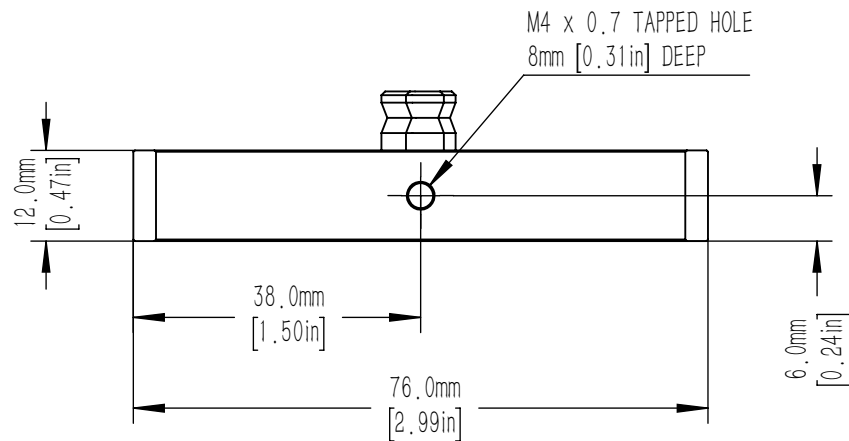
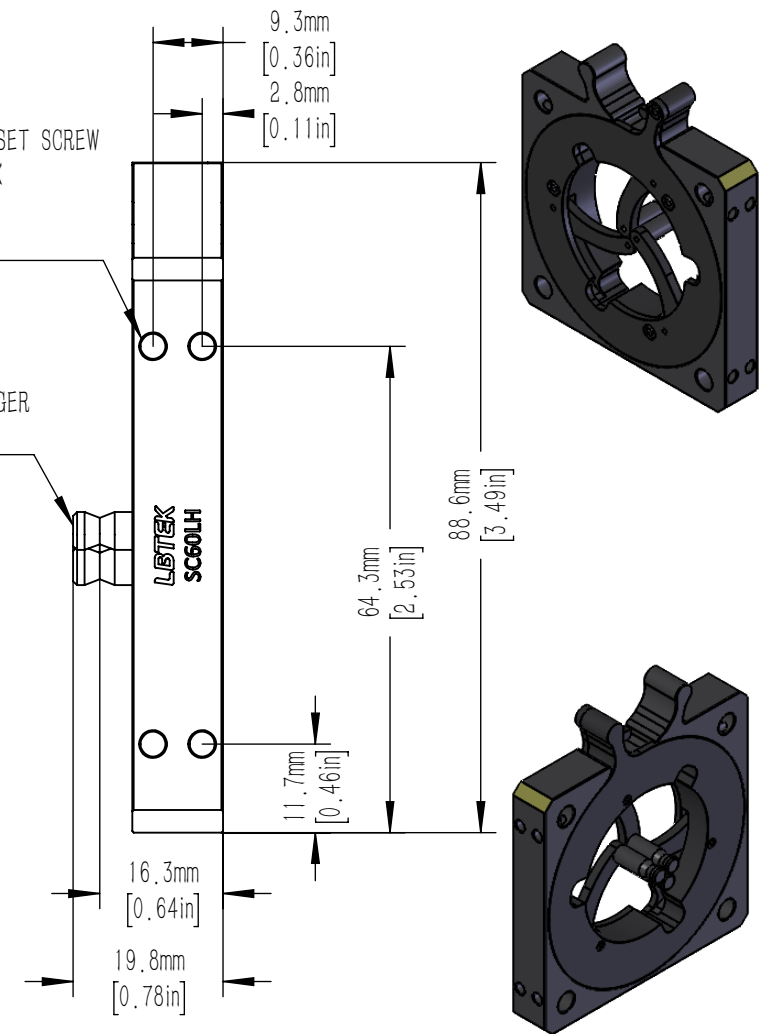


M4x0.7 LOCKING SET SCREW  
2mm [0.08in] HEX  
BOTH SIDES  
8 PLACES

NON-MARRING  
OPTIC CLAMPING FINGER  
3 PLACES



DRAWING PROJECTION			<b>LBTEK</b>			
NAME	DATE	SC60LH				
DRAWN	KZH	AUG./23th/22	SELF-CENTERING LENS MOUNT FOR 60mm COAXIAL SYSTEMS			
APPROVAL	ZXU	AUG./23th/22	MATERIAL	WEIGHT	SCALE	REV
FOR INFORMATION ONLY NOT FOR MANUFACTURING PURPOSES			N/A	0.124 Kg	1:2	B