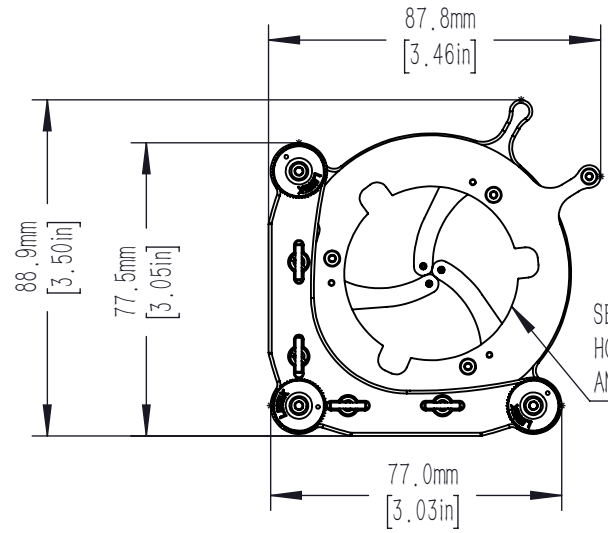
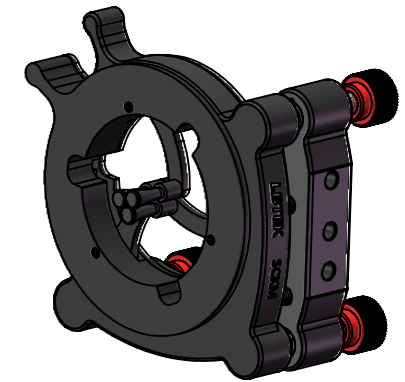


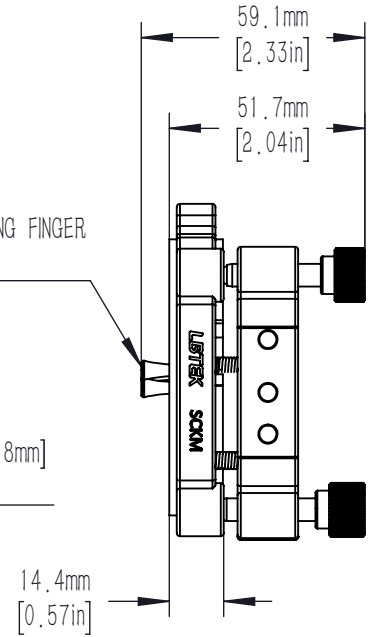
M6X0.25 ADJUSTER SCREWS
 PROVIDES +/-4° TOTAL ANGULAR DISPLACEMENT
 (0.23° PER REVOLUTION)
 3 PLACES
 2.0mm [5/64in] HEX

M4 COUNTERBORE
 6 PLACES

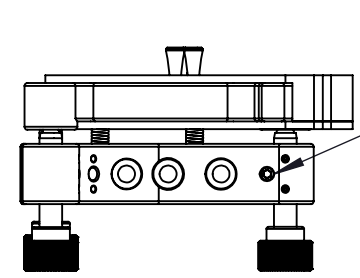
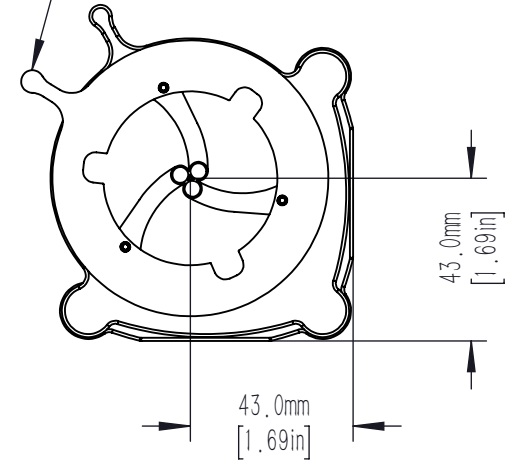


NON-MARRING OPTIC CLAMPING FINGER
 3 PLACES

SELF-CENTERING LENS CELL
 HOLD OPTICS BETWEEN 0.15in [3.8mm]
 AND 1.70in [43.2mm]



SPRING-LOADED ACTUATION ARM
 OPENS MOUNTING FINGERS WHEN ACTUATED



ADJUSTER LOCKING SCREW
 2.0mm[5/64in] HEX
 3 PLACES

DRAWING PROJECTION			LBTEK			
	NAME	DATE				
DRAWN	KZH	NOV./29th/22	SELF-CENTERING KINEMATIC MOUNT			
APPROVAL	ZXU	NOV./29th/22	MATERIAL	WEIGHT	SCALE	REV
FOR INFORMATION ONLY NOT FOR MANUFACTURING PURPOSES			N/A	0.13 Kg	1:2	B