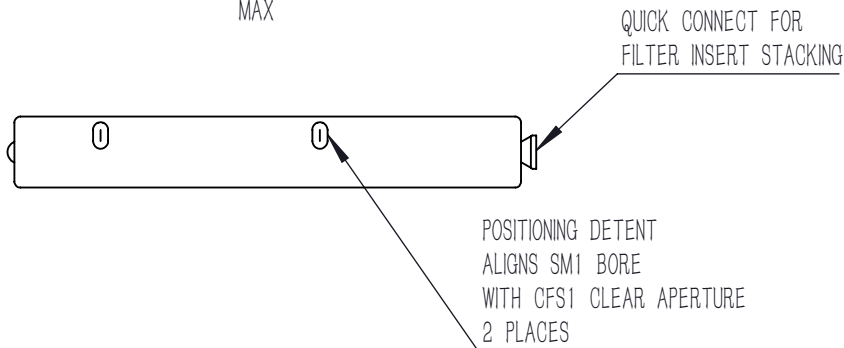
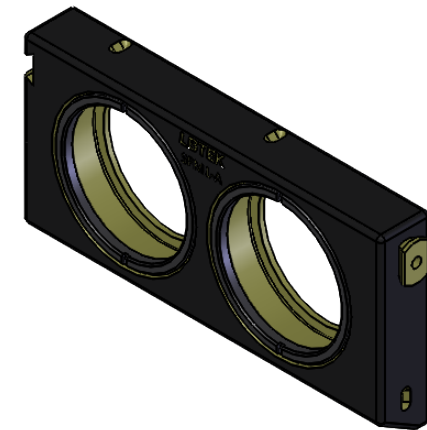
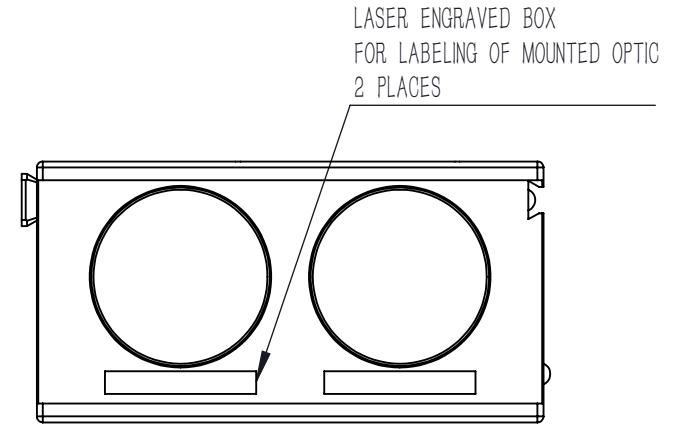
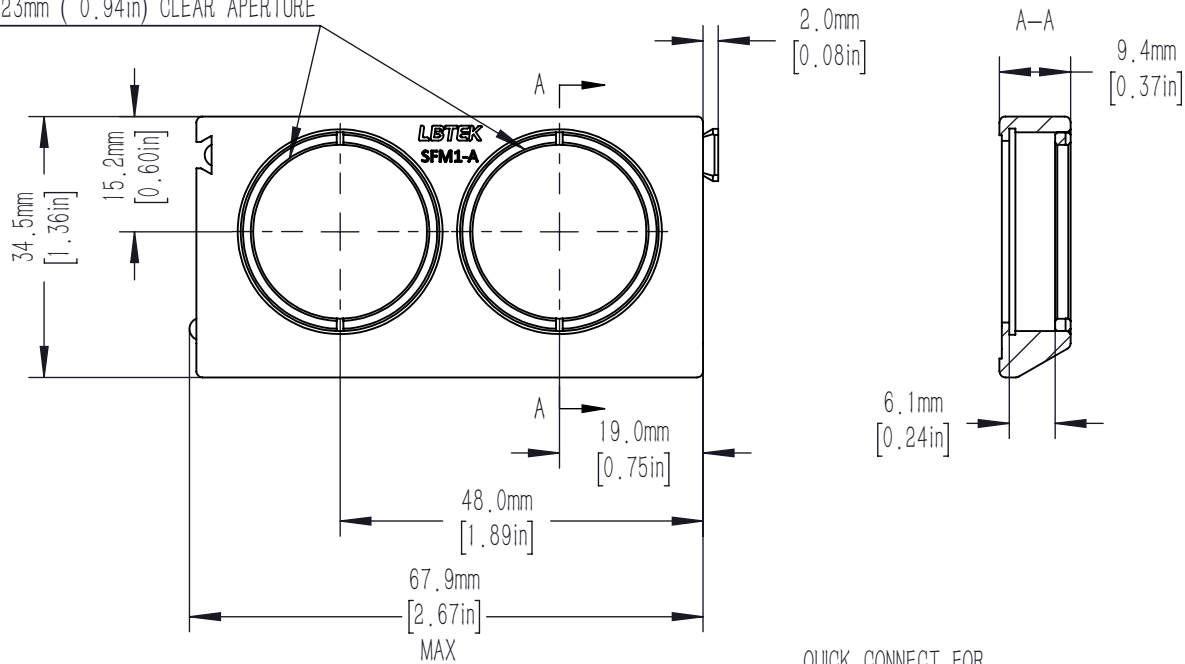


SM1 ( 1.035-40) SERIES  
 INTERNAL THREAD  
 SM1R RETAINING RINGS INCLUDED  
 $\phi$ 23mm ( 0.94in) CLEAR APERTURE



DRAWING PROJECTION			<b>LBTEK</b>			
	NAME	DATE	SFM1-A			
DRAWN	CZH	JAN./4th/22	FILTER INSERT			
APPROVAL	ZXU	JAN./4th/22	MATERIAL	WEIGHT	SCALE	REV
FOR INFORMATION ONLY NOT FOR MANUFACTURING PURPOSES			N/A	0.032 Kg	1:1	B