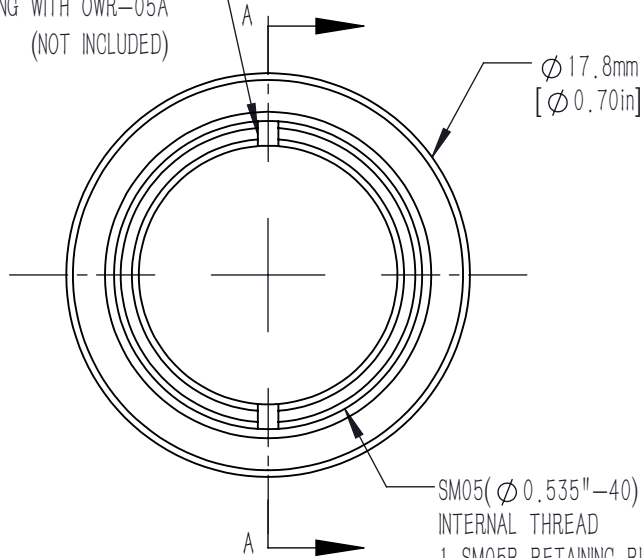
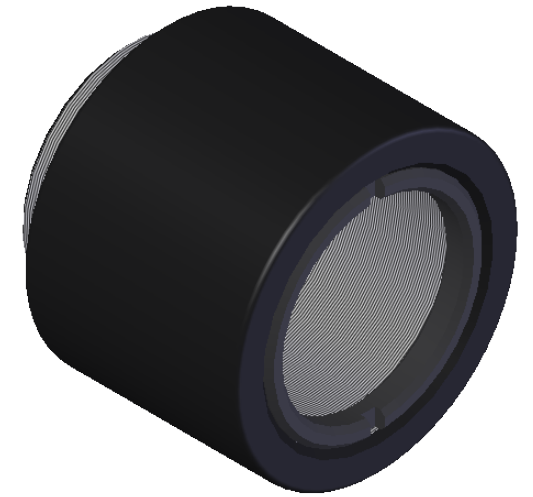
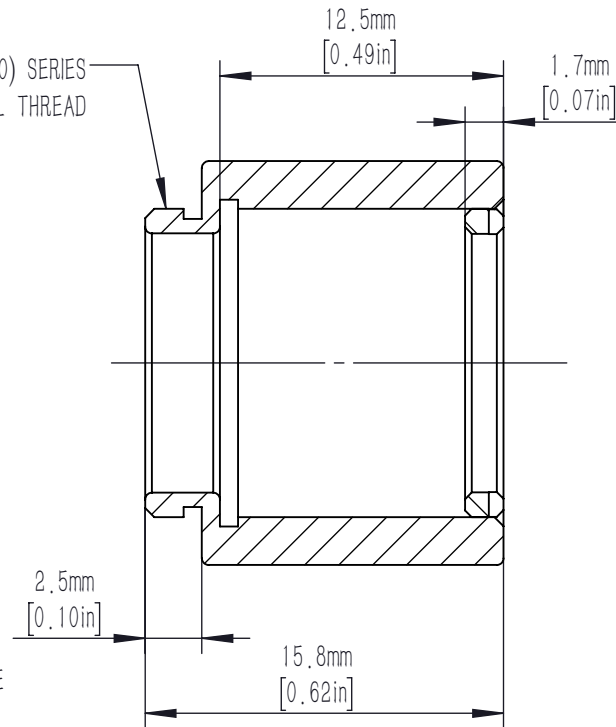


SPANNER WRENCH SLOTS
FOR USING WITH OWR-05A
(NOT INCLUDED)

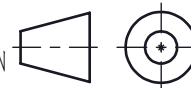


SM05($\phi 0.535\text{''}-40$) SERIES
INTERNAL THREAD
1 SM05R RETAINING RING INCLUDED
 $\phi 11.4\text{mm}$ [$\phi 0.45\text{in}$] CLEAR APERTURE

A-A



DRAWING
PROJECTION



LBTEK

NAME

DATE

SM05-12.5A

DRAWN

YCH

MAR./24th/21

SM05 LENS TUBE, 12.5mm DEEP

APPROVAL

WCH

MAR./24th/21

MATERIAL

WEIGHT

SCALE

REV

FOR INFORMATION ONLY
NOT FOR MANUFACTURING PURPOSES

ALUMINIUM

0.01 Kg

3:1

B