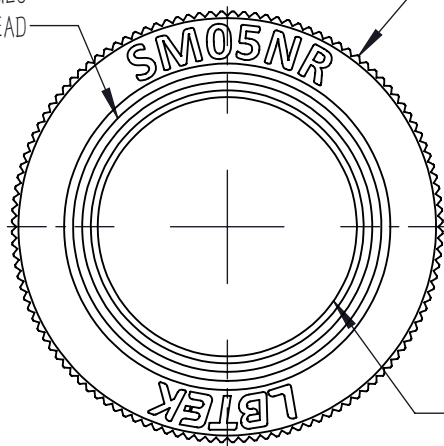


SM05( $\varnothing$  0.535-40) SERIES  
EXTERNAL THREAD

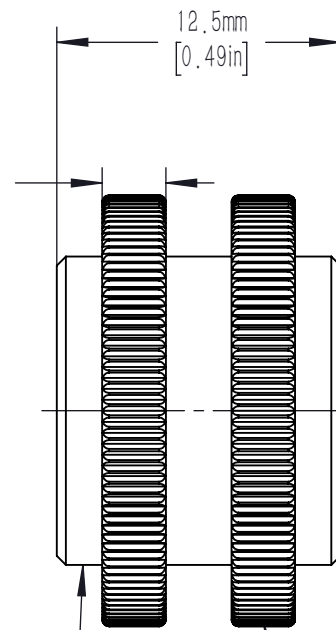


19.0mm [0.75in]  
KNURLED SURFACE

$\varnothing$  11.4mm [ $\varnothing$  0.45in]  
CLEAR APERTURE

SM05( $\varnothing$  0.535-40) SERIES  
EXTERNAL THREAD

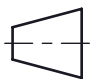

2.8mm  
[0.11in]



12.5mm  
[0.49in]

2 LOCKING NUT INCLUDED



DRAWING PROJECTION  

**LBTEK**

	NAME	DATE	SM05-12.5T			
DRAWN	BYIN	JUN./25th/19	SM05 SERIES EXTERNAL THREAD TUBE			
APPROVAL	LDAI	JUN./25th/19	MATERIAL	WEIGHT	SCALE	REV
FOR INFORMATION ONLY NOT FOR MANUFACTURING PURPOSES			ALUMINIUM	0.003 Kg	3:1	B