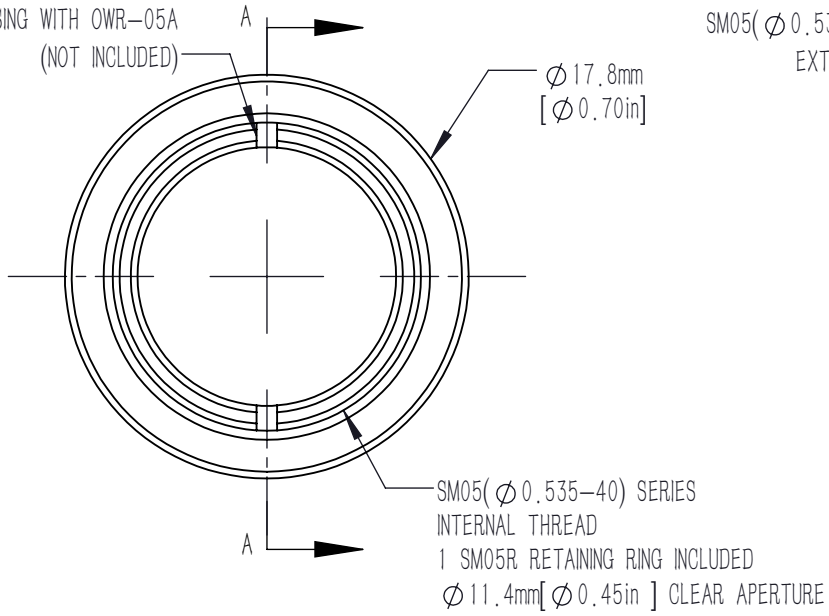
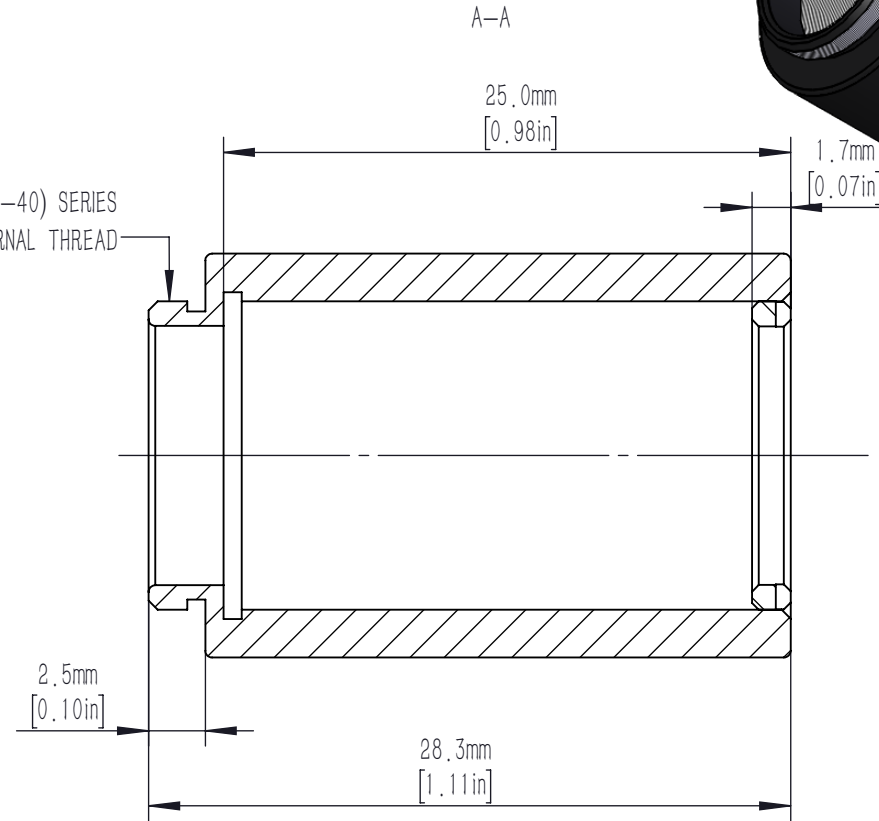




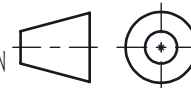
SPANNER WRENCH SLOTS
FOR USING WITH OWR-05A
(NOT INCLUDED)



SM05($\phi 0.535-40$) SERIES
EXTERNAL THREAD



DRAWING
PROJECTION



LBTEK

NAME

DATE

SM05-25A

DRAWN

BYIN

JUN./25th/19

SM05 LENS TUBE, 25mm DEEP

APPROVAL

LDAI

JUN./25th/19

MATERIAL

WEIGHT

SCALE

REV

FOR INFORMATION ONLY
NOT FOR MANUFACTURING PURPOSES

ALUMINIUM

0.01 Kg

3:1

B