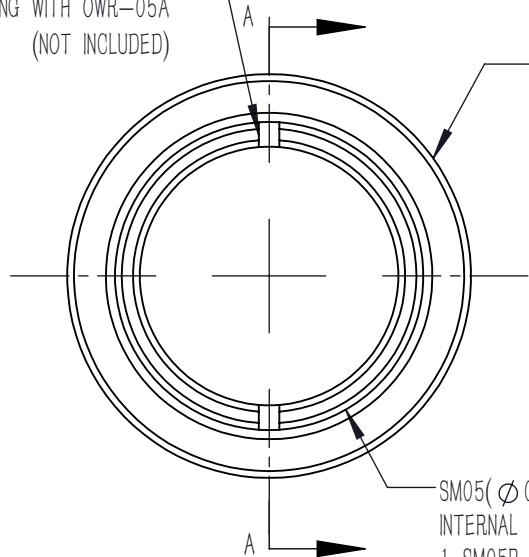


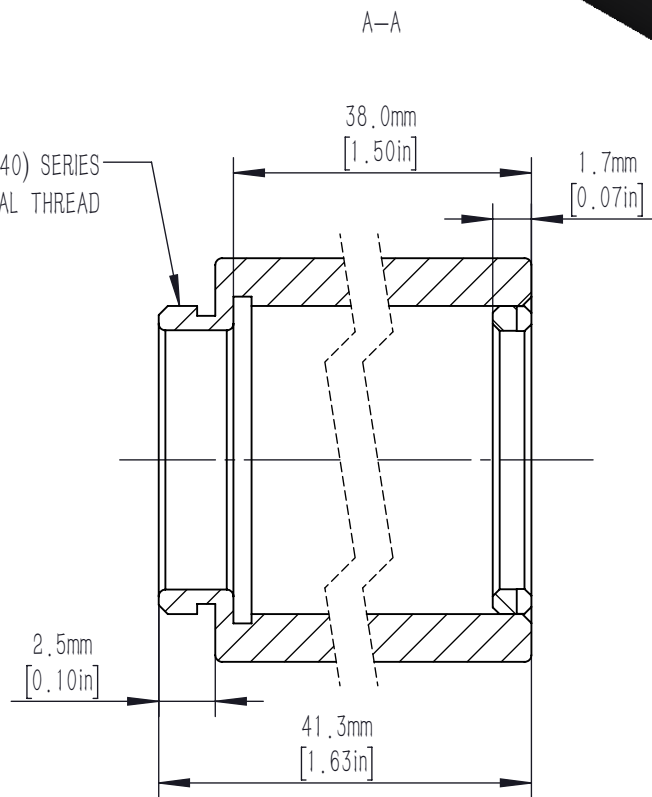
SPANNER WRENCH SLOTS
FOR USING WITH OWR-05A
(NOT INCLUDED)



$\phi 17.8\text{mm}$
[$\phi 0.70\text{in}$]

SM05($\phi 0.535\text{''}-40$) SERIES
INTERNAL THREAD
1 SM05R RETAINING RING INCLUDED
 $\phi 11.4\text{mm}$ [$\phi 0.45\text{in}$] CLEAR APERTURE

SM05($\phi 0.535\text{''}-40$) SERIES
EXTERNAL THREAD



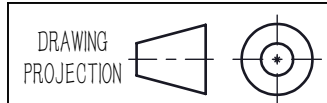
A-A

38.0mm
[1.50in]

1.7mm
[0.07in]

2.5mm
[0.10in]

41.3mm
[1.63in]



LBTEK

DRAWING PROJECTION		NAME		DATE		SM05-38A				
		YCH		MAR./24th/20						SM05 LENS TUBE, 38mm DEEP
APPROVAL	WCH	MAR./24th/20	MATERIAL	WEIGHT	SCALE	REV				
FOR INFORMATION ONLY NOT FOR MANUFACTURING PURPOSES			ALUMINIUM	0.01 Kg	3:1	B				