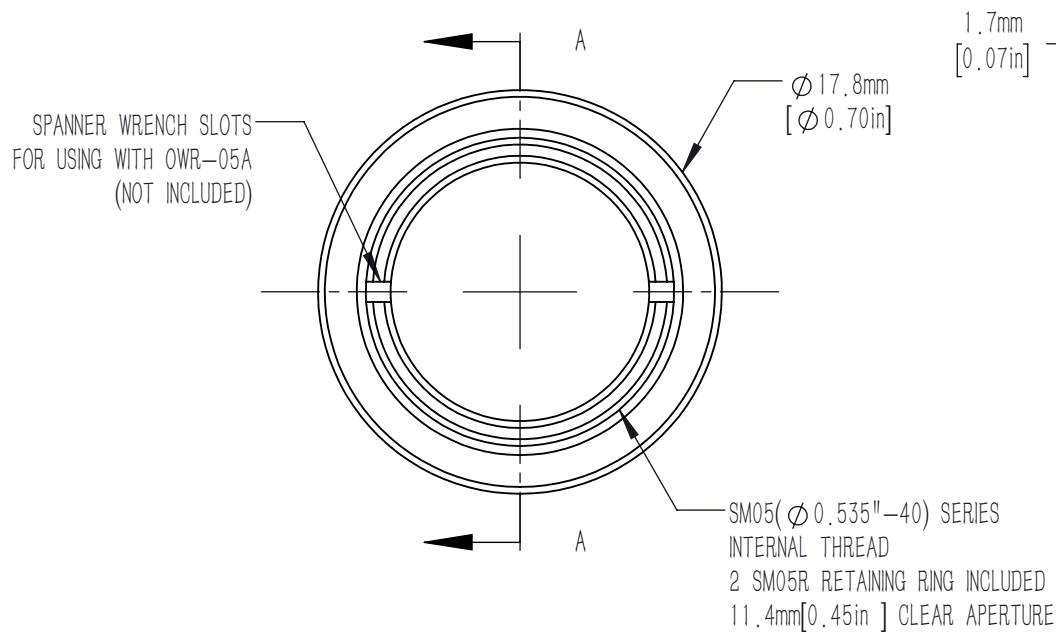




A-A



1.7mm  
[0.07in]

38.0mm  
[1.50in]

DRAWING PROJECTION			<b>LBTEK</b>			
	NAME	DATE	SM05-38B			
DRAWN	YCH	MAR./24th/21	SM05 INTERNAL THREAD LENS TUBE SLEEVE , 38mm LENGTH			
APPROVAL	WCH	MAR./24th/21	MATERIAL	WEIGHT	SCALE	REV
FOR INFORMATION ONLY NOT FOR MANUFACTURING PURPOSES			ALUMINIUM	0.011 Kg	3:1	B