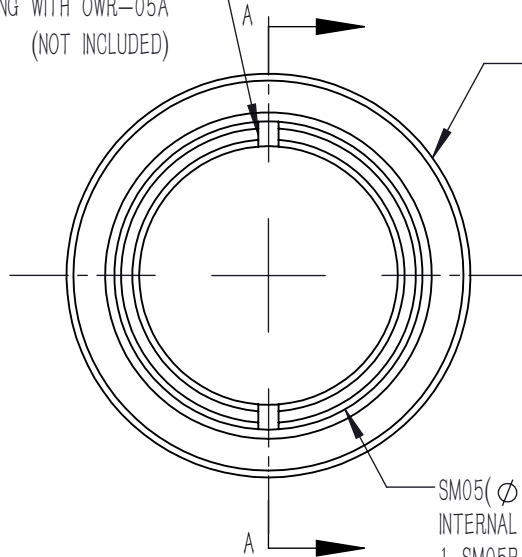


SPANNER WRENCH SLOTS
FOR USING WITH OWR-05A
(NOT INCLUDED)

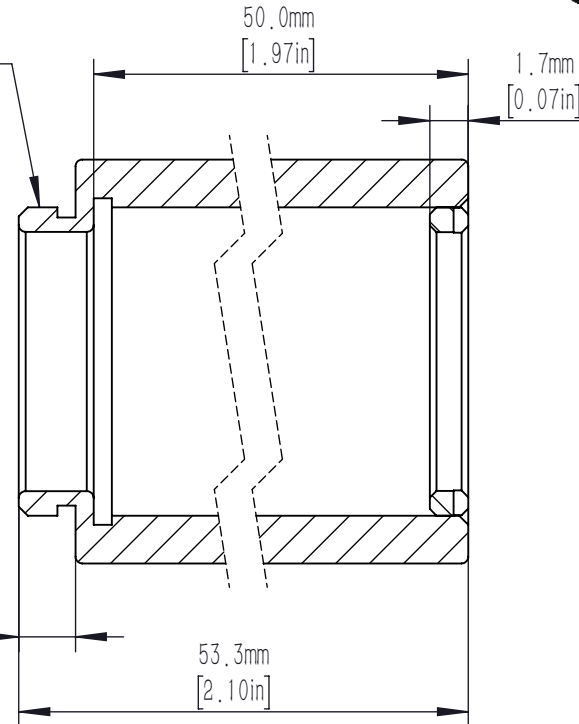


$\phi 17.8\text{mm}$
[$\phi 0.70\text{in}$]

SM05($\phi 0.535\text{''}-40$) SERIES
INTERNAL THREAD
1 SM05R RETAINING RING INCLUDED
 $\phi 11.4\text{mm}$ [$\phi 0.45\text{in}$] CLEAR APERTURE

SM05($\phi 0.535\text{''}-40$) SERIES
EXTERNAL THREAD

2.5mm
[0.10in]



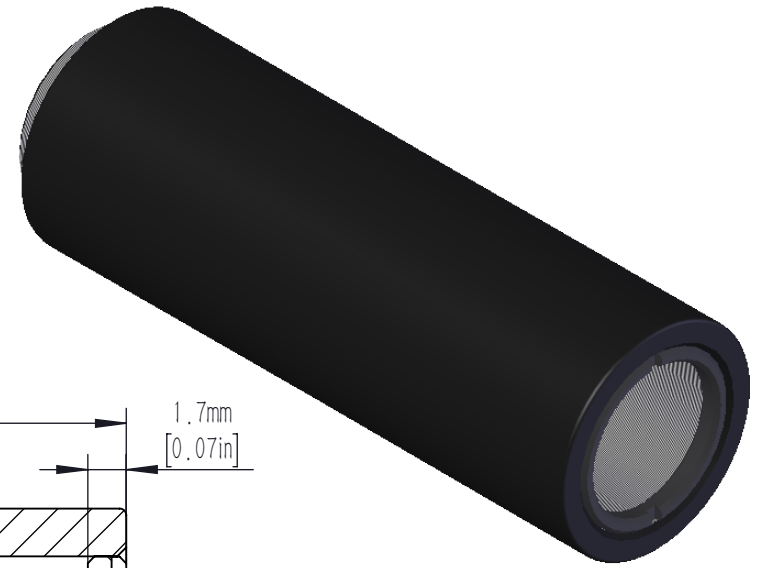
A-A

50.0mm
[1.97in]

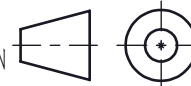
1.7mm
[0.07in]

2.5mm
[0.10in]

53.3mm
[2.10in]



DRAWING
PROJECTION



LBTEK

NAME

DATE

SM05-50A

DRAWN

YCH

MAR./24th/21

SM05 LENS TUBE, 50mm DEEP

APPROVAL

WCH

MAR./24th/21

MATERIAL

WEIGHT

SCALE

REV

FOR INFORMATION ONLY
NOT FOR MANUFACTURING PURPOSES

ALUMINIUM

0.01 Kg

3:1

B