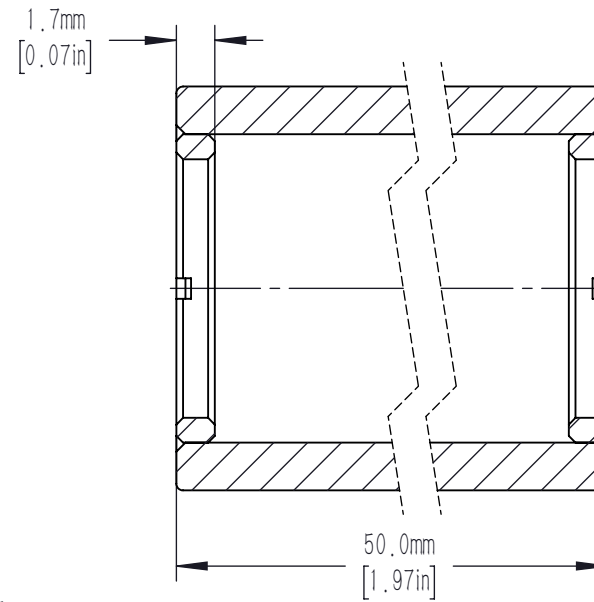
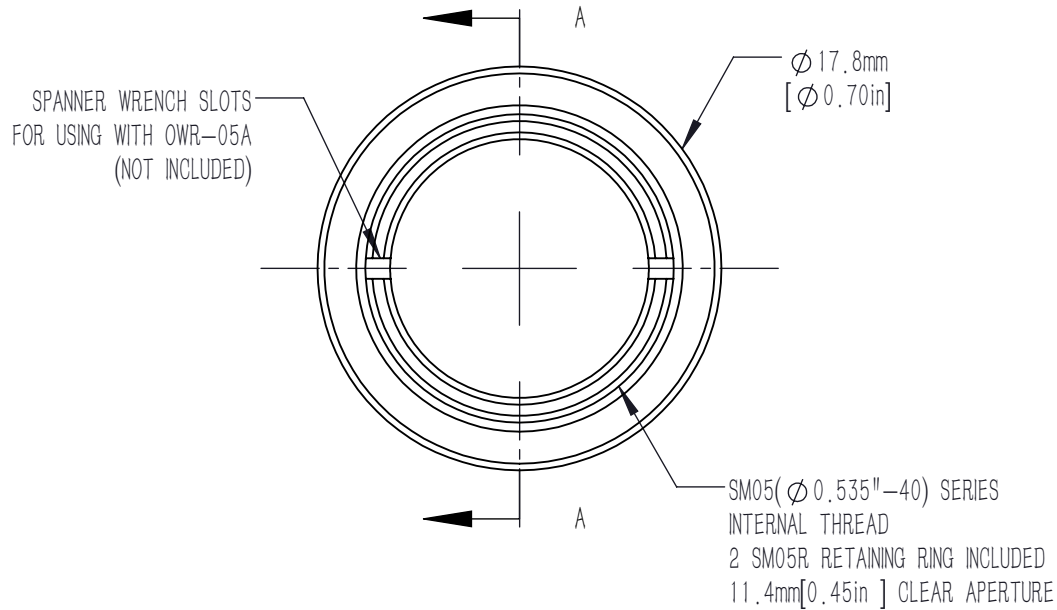




A-A



DRAWING PROJECTION			LBTEK			
	NAME	DATE	SM05-50B			
DRAWN	YCH	MAR./24th/21	SM05 INTERNAL THREAD LENS TUBE SLEEVE , 50mm LENGTH			
APPROVAL	WCH	MAR./24th/21	MATERIAL	WEIGHT	SCALE	REV
FOR INFORMATION ONLY NOT FOR MANUFACTURING PURPOSES			ALUMINIUM	0.014 Kg	3:1	B