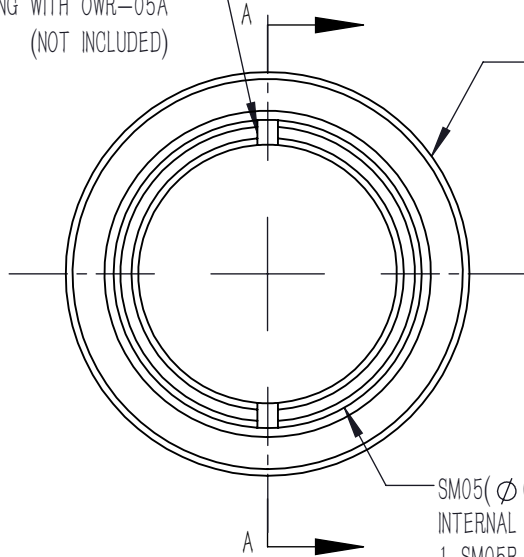


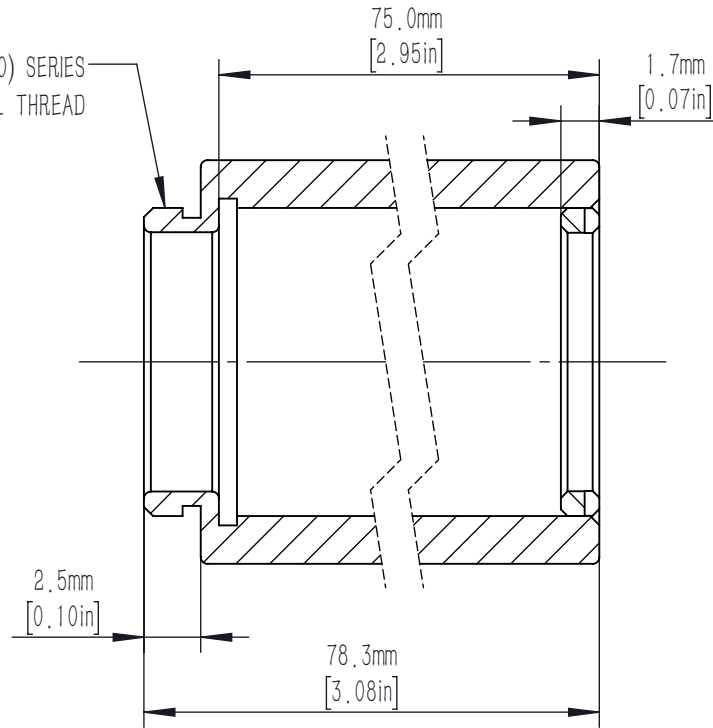
SPANNER WRENCH SLOTS
FOR USING WITH OWR-05A
(NOT INCLUDED)



$\phi 17.8\text{mm}$
[$\phi 0.70\text{in}$]

SM05($\phi 0.535\text{''}-40$) SERIES
INTERNAL THREAD
1 SM05R RETAINING RING INCLUDED
 $\phi 11.4\text{mm}$ [$\phi 0.45\text{in}$] CLEAR APERTURE

SM05($\phi 0.535\text{''}-40$) SERIES
EXTERNAL THREAD



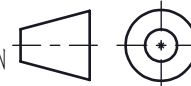
75.0mm
[2.95in]

1.7mm
[0.07in]

2.5mm
[0.10in]

78.3mm
[3.08in]

DRAWING
PROJECTION



LBTEK

NAME

DATE

SM05-75A

DRAWN

YCH

MAR./24th/21

SM05 LENS TUBE, 75mm DEEP

APPROVAL

WCH

MAR./24th/21

MATERIAL

WEIGHT

SCALE

REV

FOR INFORMATION ONLY
NOT FOR MANUFACTURING PURPOSES

ALUMINIUM

0.02 Kg

3:1

B