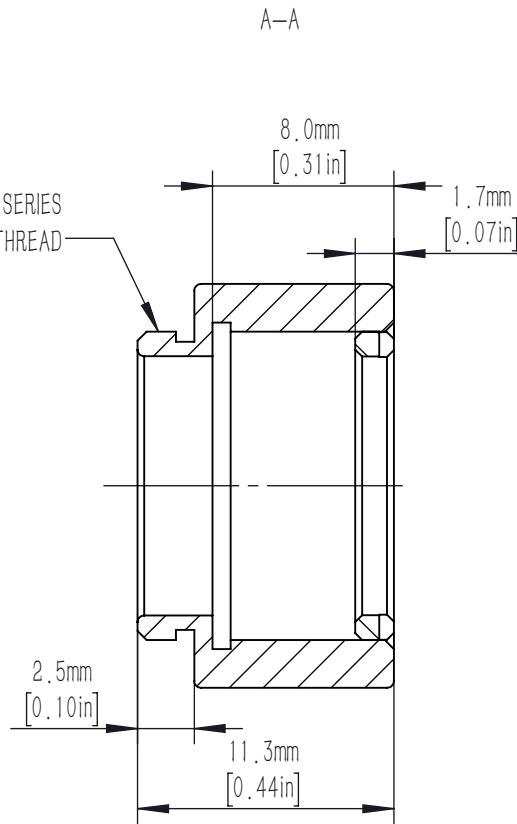


SPANNER WRENCH SLOTS  
 FOR USING WITH OWR-05A  
 (NOT INCLUDED)

SM05( $\phi 0.535-40$ ) SERIES  
 INTERNAL THREAD  
 1 SM05R RETAINING RING INCLUDED  
 $\phi 11.4\text{mm}[\phi 0.45\text{in}]$  CLEAR APERTURE

SM05( $\phi 0.535-40$ ) SERIES  
 EXTERNAL THREAD



DRAWING PROJECTION			<b>LBTEK</b>			
	NAME	DATE	SM05-8A			
DRAWN	BYIN	JUN./25th/19	SM05 LENS TUBE, 8mm DEEP			
APPROVAL	LDAI	JUN./25th/19	MATERIAL	WEIGHT	SCALE	REV
FOR INFORMATION ONLY NOT FOR MANUFACTURING PURPOSES			ALUMINIUM	0.003 Kg	3:1	B