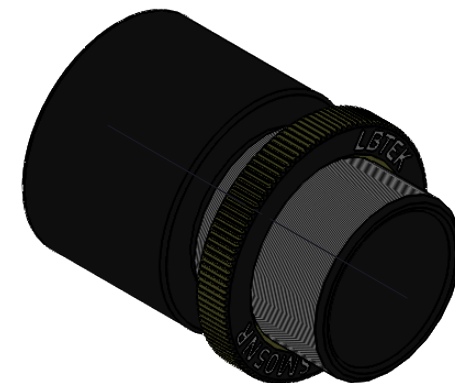
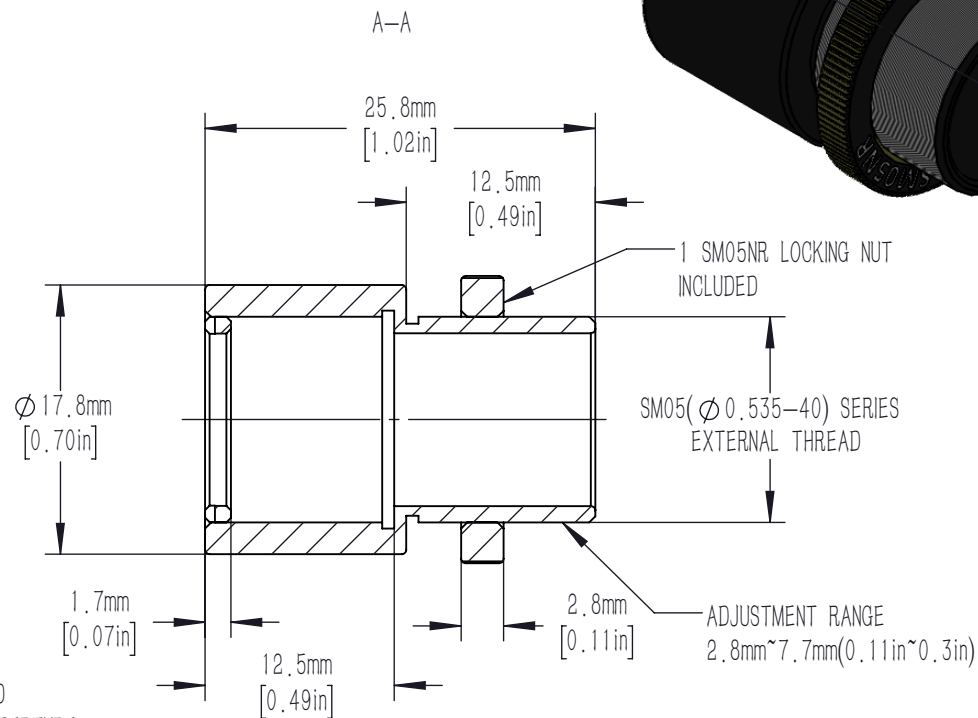
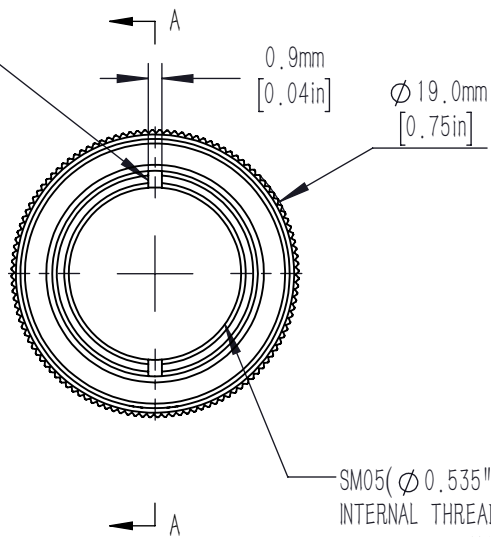


SPANNER WRENCH SLOTS  
FOR USING WITH OWR-05A  
(NOT INCLUDED)



DRAWING PROJECTION			<b>LBTEK</b>			
	NAME	DATE				
DRAWN	YCH	MAR./6th/20	ADJ. FOCUS SM05 LENS TUBE ADAPTER			
APPROVAL	ZHE	MAR./6th/20	MATERIAL	WEIGHT	SCALE	REV
FOR INFORMATION ONLY NOT FOR MANUFACTURING PURPOSES			ALUMINUM	0.007 Kg	2:1	B