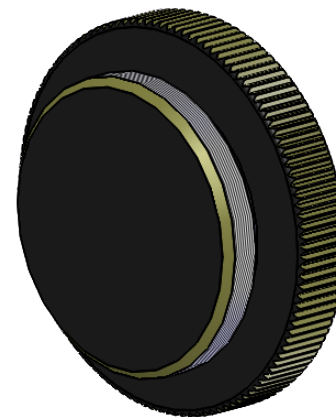
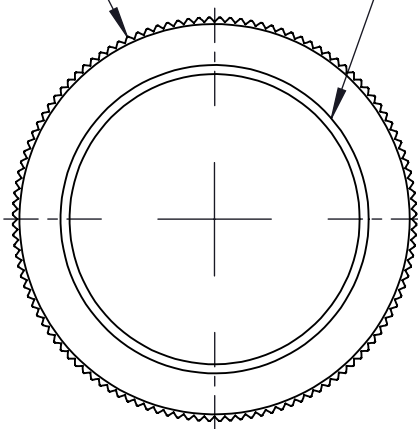


∅ 56.0mm [2.20 in]
KNURLED SURFACE

SM05(∅ 0.535-40) SERIES
EXTERNAL THREAD



DRAWING PROJECTION			LBTEK			
	NAME	DATE				
DRAWN	BYIN	JUN./25th/19	SM05 SERIES END CAP EXTERNAL THREADS			
APPROVAL	LDAI	JUN./25th/19	MATERIAL	WEIGHT	SCALE	REV
FOR INFORMATION ONLY NOT FOR MANUFACTURING PURPOSES			ALUMINIUM	2.75 g	3:1	B