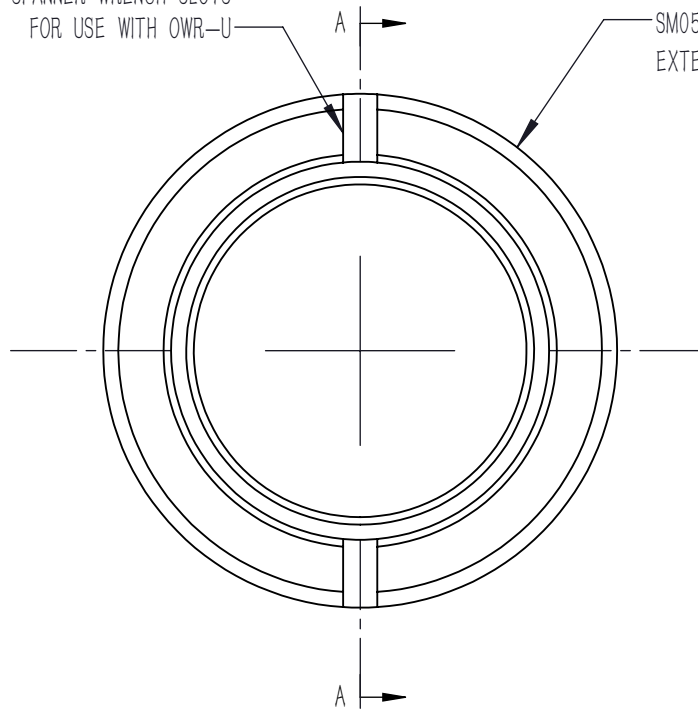
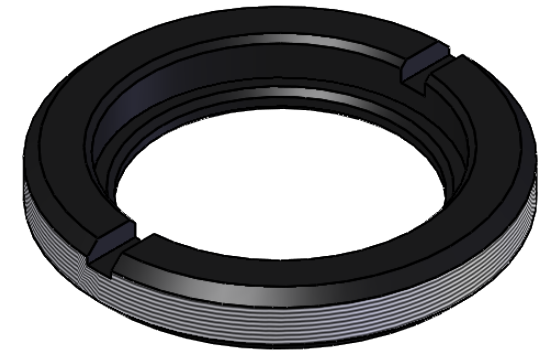
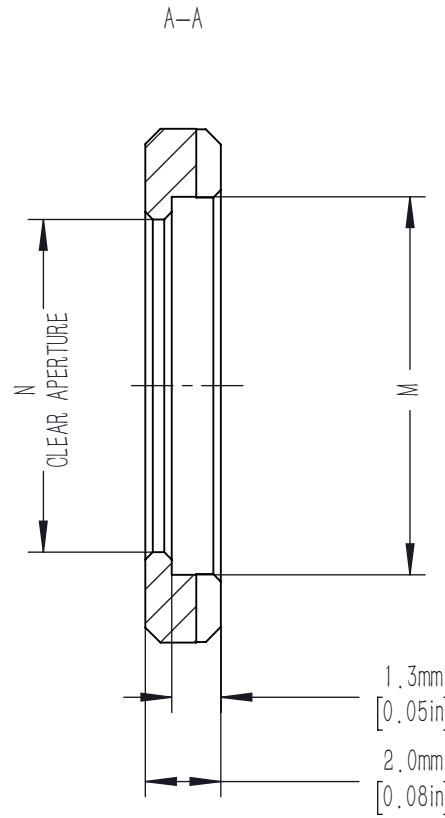


SPANNER WRENCH SLOTS
FOR USE WITH OWR-U



SM05(\varnothing 0.535-40) SERIES
EXTERNAL THREAD



NOTE: PLEASE INSTALL LENS VERTICALLY
TO AVOID LENS FALLING AND DAMAGING.

NO.	ITEM	M/mm[in]	N/mm[in]	RING WEIGHT/g	RING NUMBER
1	SM05D6	6[0.24]	4.8[0.19]	1.8	2
2	SM05D8	8[0.31]	6.8[0.27]	1.5	2
3	SM05D9	9[0.35]	7.8[0.31]	1.3	2
4	SM05D10	10[0.39]	8.8[0.35]	1.0	2

DRAWING PROJECTION			LBTEK			
	NAME	DATE				
DRAWN	ZHE	MAR./6th/20	SM05 SERIES RETAINING RING			
APPROVAL	YCH	MAR./6th/20	MATERIAL	WEIGHT	SCALE	REV
FOR INFORMATION ONLY NOT FOR MANUFACTURING PURPOSES			N/A	- Kg	5:1	A