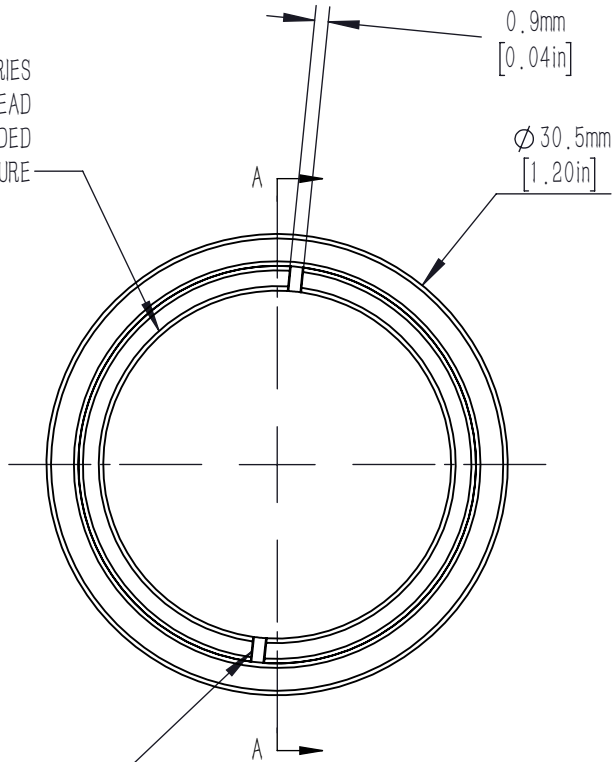
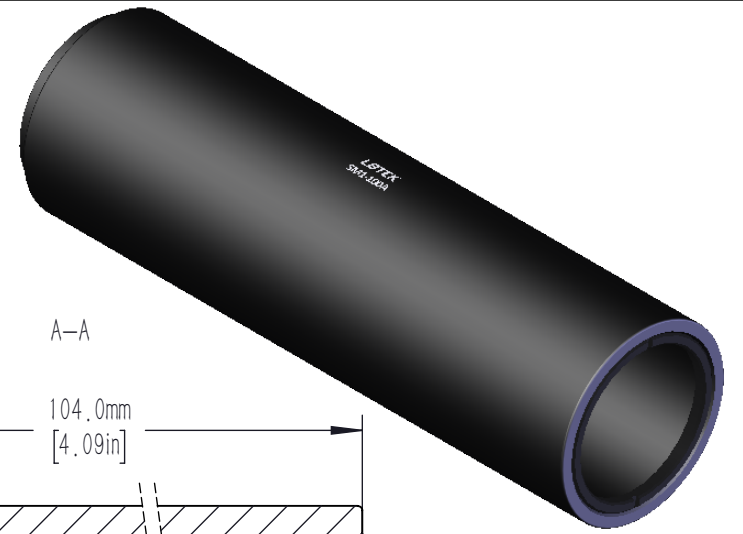
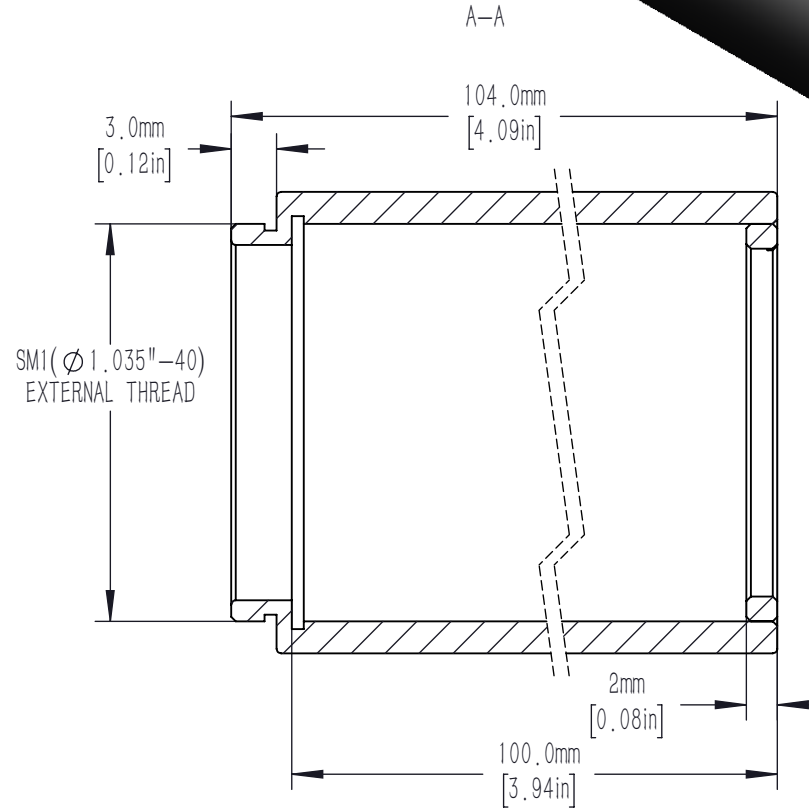


SM1(Ø 1.035-40) SERIES
INTERNAL THREAD
1 SM1R RETAINING RING INCLUDED
Ø 23.0mm [Ø 0.91in] CLEAR APERTURE



SPANNER SLOTS FOR
USING WITH OWR-1A



DRAWING PROJECTION			LBTEK			
	NAME	DATE				
DRAWN	YCH	MAR./6th/20	SM1 LENS TUBE, 100mm DEEP			
APPROVAL	ZHE	MAR./6th/20	MATERIAL	WEIGHT	SCALE	REV
FOR INFORMATION ONLY NOT FOR MANUFACTURING PURPOSES			N/A	0.054 Kg	2:1	B