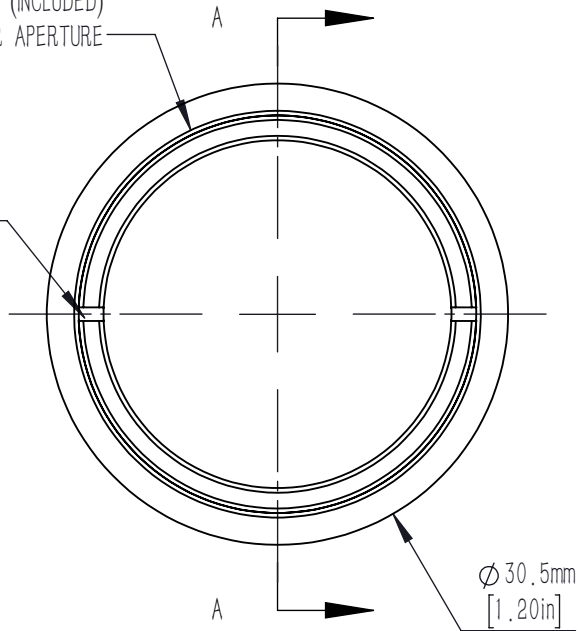
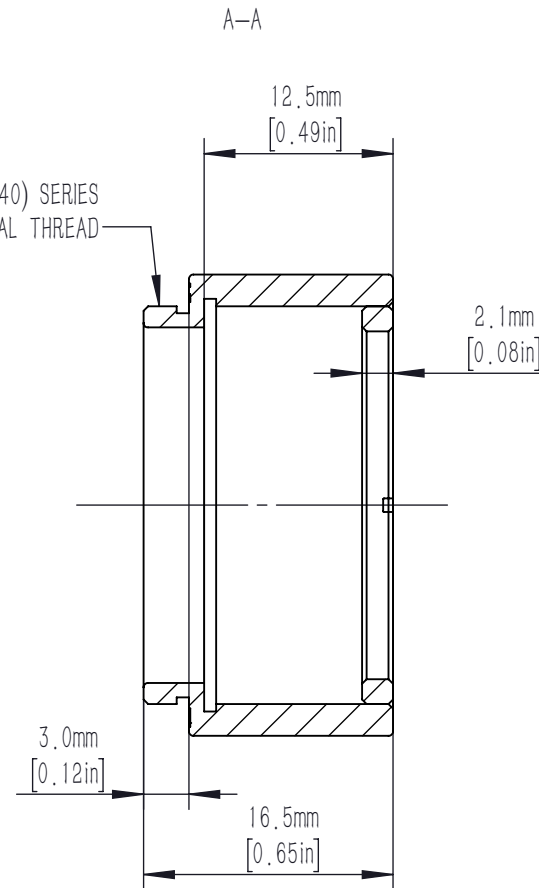


SM1(ϕ 1.035-40) SERIES
INTERNAL THREAD
1 SM1R RETAINING RING (INCLUDED)
 ϕ 23.0mm [0.91in] CLEAR APERTURE

SPANNER SLOT FOR
USING WITH OWR-1A



SM1(ϕ 1.035-40) SERIES
EXTERNAL THREAD



DRAWING PROJECTION			LBTEK			
	NAME	DATE				
DRAWN	BYIN	JUN./25th/19	SM1 LENS TUBE, 12.5mm DEEP			
APPROVAL	LDAI	JUN./25th/19	MATERIAL	WEIGHT	SCALE	REV
FOR INFORMATION ONLY NOT FOR MANUFACTURING PURPOSES			N/A	0.01 Kg	2:1	B