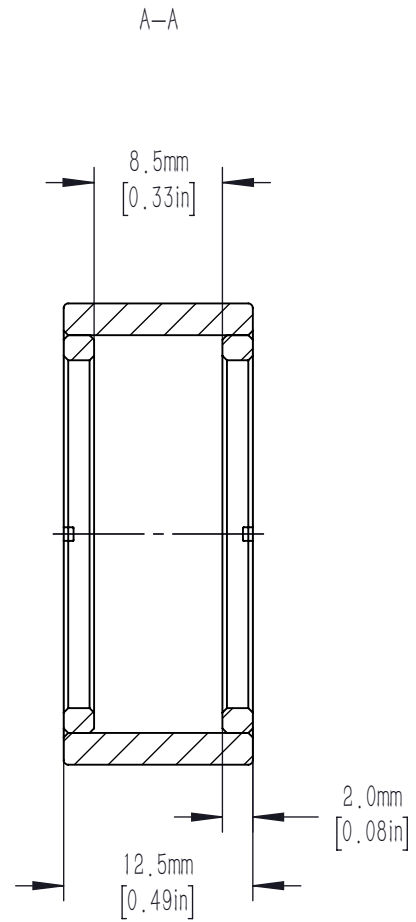
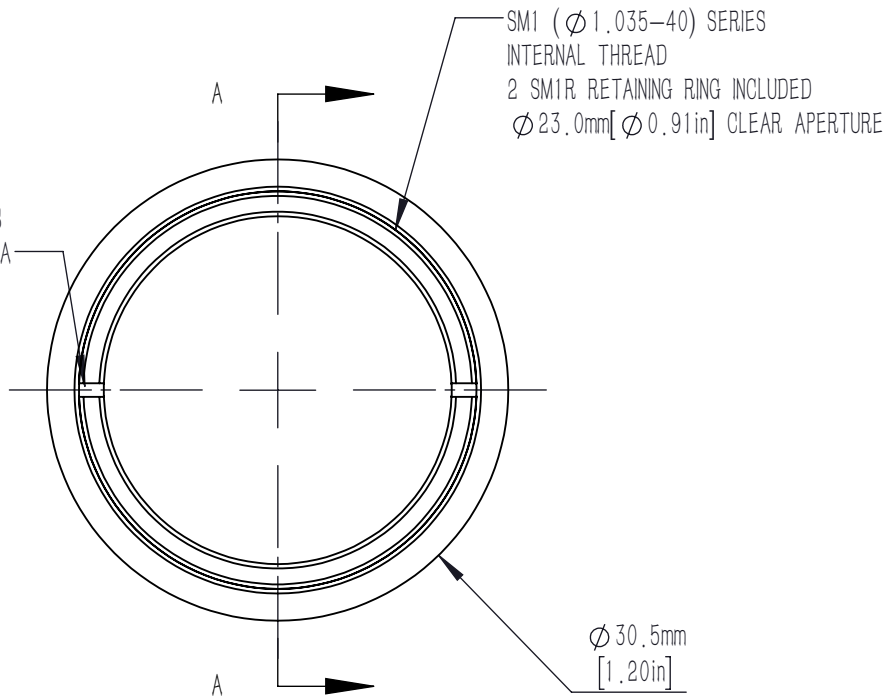


SPANNER WRENCH SLOTS
FOR USING WITH OWR-1A



DRAWING PROJECTION			LBTEK			
	NAME	DATE				
DRAWN	YCH	JUL./25th/19	SM1 INTERNAL THREAD LENS TUBE SLEEVE , 12.5mm LENGTH			
APPROVAL	LDAI	JUL./25th/19	MATERIAL	WEIGHT	SCALE	REV
FOR INFORMATION ONLY NOT FOR MANUFACTURING PURPOSES			N/A	0.01 Kg	2:1	B