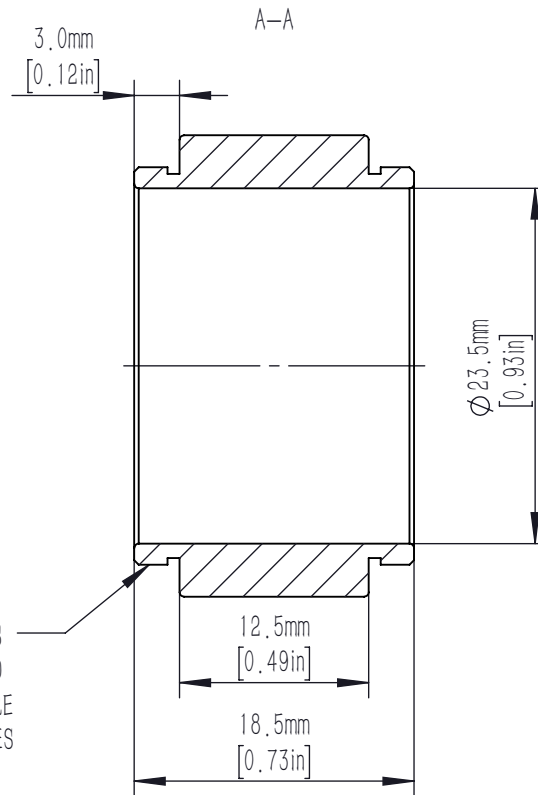


Ø 30.5mm  
[1.20in]

SM1(Ø1.035-40) SERIES  
EXTERNAL THREAD  
Ø 23.5mm [Ø 0.93in] CLEAR APERTURE  
BOTH SIDES



3.0mm  
[0.12in]

A-A

Ø 23.5mm  
[0.93in]

12.5mm  
[0.49in]

18.5mm  
[0.73in]



DRAWING PROJECTION			<b>LBTEK</b>			
	NAME	DATE	SM1-12.5C			
DRAWN	YCH	JUL./25th/19	SM1 LENS TUBE SPACER, 12.5mm LENGTH			
APPROVAL	LDAI	JUL./25th/19	MATERIAL	WEIGHT	SCALE	REV
FOR INFORMATION ONLY NOT FOR MANUFACTURING PURPOSES			N/A	0.012 Kg	2:1	B