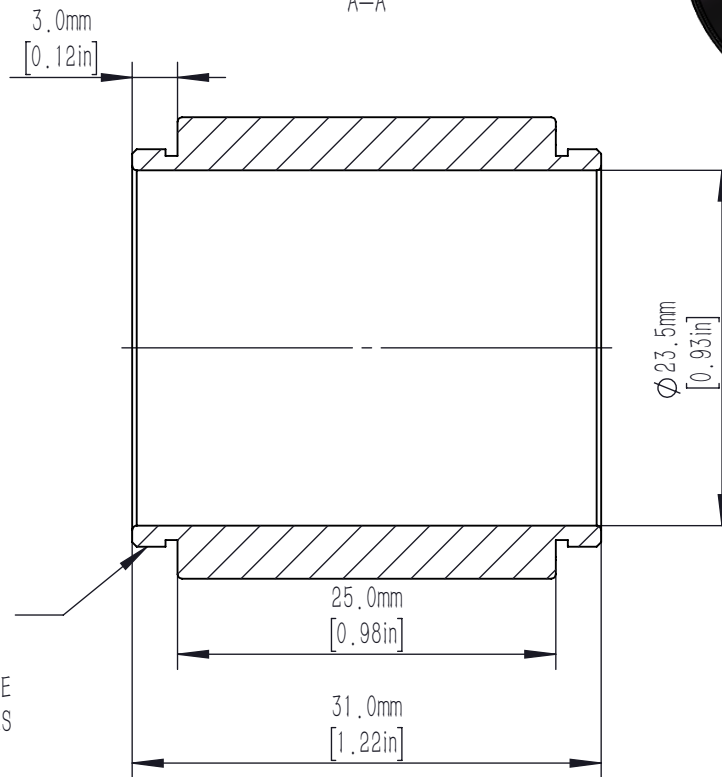


SM1(Ø1.035-40) SERIES  
EXTERNAL THREAD  
Ø23.5mm[Ø0.93in] CLEAR APERTURE  
BOTH SIDES



DRAWING PROJECTION			<b>LBTEK</b>			
	NAME	DATE	SM1-25C			
DRAWN	BYIN	JUN./25th/19	SM1 LENS TUBE SPACER, 25mm LENGTH			
APPROVAL	LDAI	JUN./25th/19	MATERIAL	WEIGHT	SCALE	REV
FOR INFORMATION ONLY NOT FOR MANUFACTURING PURPOSES			N/A	0.022 Kg	2:1	B