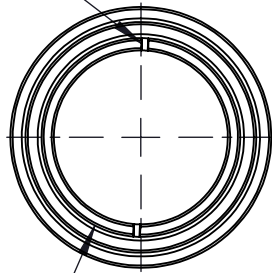


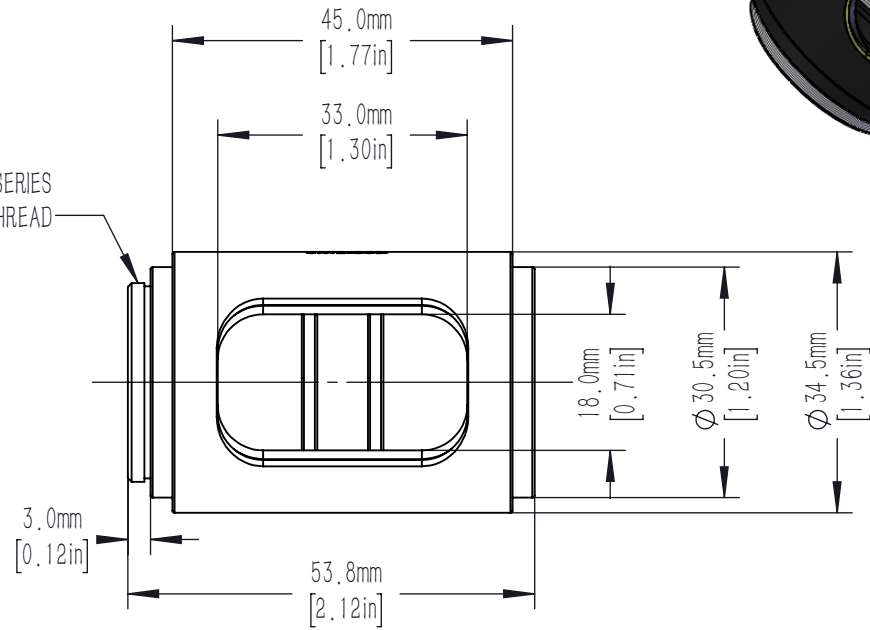


SPANNER SLOT FOR
USING WITH OWR-1A



SM1 (Ø 1.035-40) SERIES
INTERNAL THREAD
50mm [1.97in] DEEP
2 SM1R RETAINING RING INCLUDED
Ø 23.0mm [Ø 0.91in] CLEAR APERTURE

SM1 (Ø 1.035-40) SERIES
EXTERNAL THREAD



DRAWING PROJECTION			LBTEK			
NAME	DATE	SM1-50D				
DRAWN	BYIN	JUN./25th/19	SM1 SLOTTED LENS TUBE WITH DUST COVER, 50mm DEEP			
APPROVAL	LDAI	JUN./25th/19	MATERIAL	WEIGHT	SCALE	REV
FOR INFORMATION ONLY NOT FOR MANUFACTURING PURPOSES			N/A	0.04 Kg	1:1	B