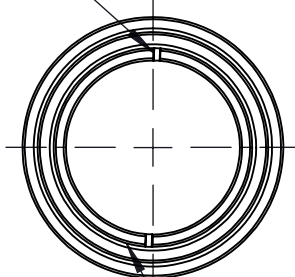




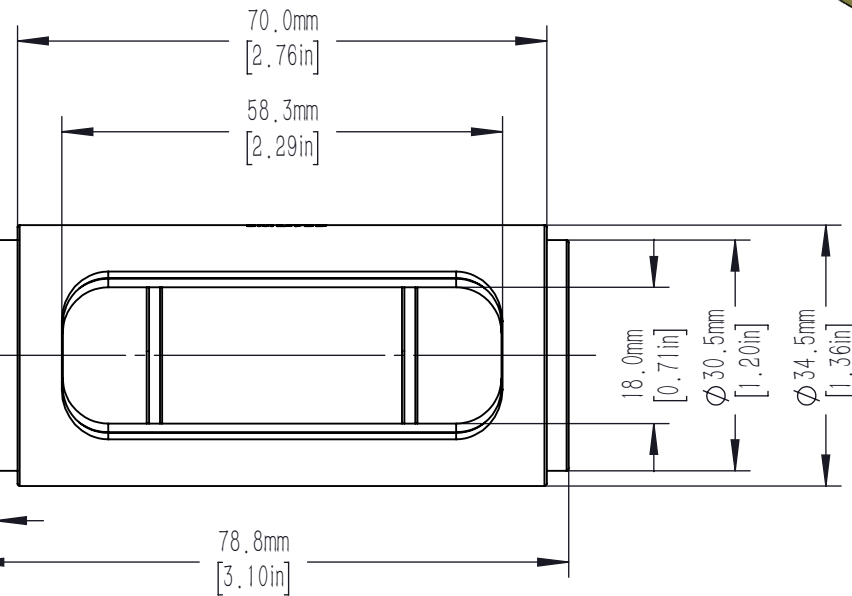
SPANNER SLOT FOR
USING WITH OWR-1A



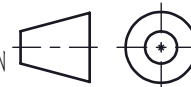
SM1 (Ø 1.035-40) SERIES
EXTERNAL THREAD

3.0mm
[0.12in]

SM1 (Ø 1.035-40) SERIES
INTERNAL THREAD
75mm [2.95in] DEEP
2 SM1R RETAINING RING INCLUDED
Ø 23.0mm [Ø 0.91in] CLEAR APERTURE



DRAWING
PROJECTION



LBTEK

NAME

DATE

SM1-75D

DRAWN

HDE

Aug./17th/21

SM1 SLOTTED LENS TUBE
WITH DUST COVER, 75mm DEEP

APPROVAL

ZXU

Aug./17th/21

MATERIAL

WEIGHT

SCALE

REV

FOR INFORMATION ONLY
NOT FOR MANUFACTURING PURPOSES

N/A

0.05 Kg

1:1

B