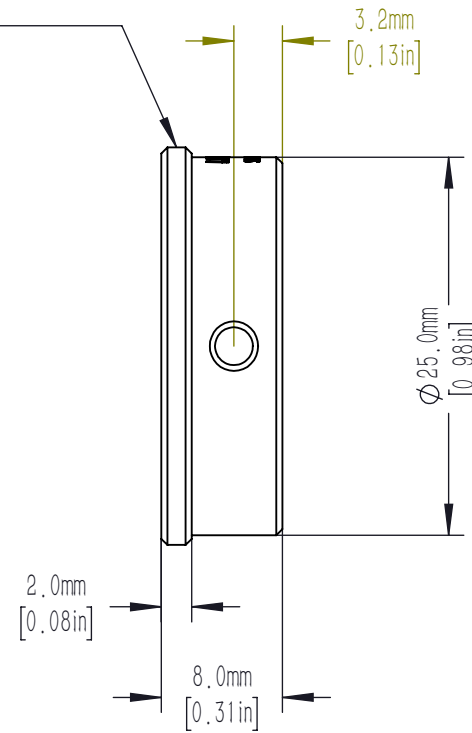


SM1 (EXT 1.035"-40) SERIES  
EXTERNAL THREAD



DRAWING PROJECTION			<b>LBTEK</b>			
	NAME	DATE				
DRAWN	KZH	AUG./30th/22	LENS TUBE ADAPTER			
APPROVAL	ZXU	AUG./30th/22	MATERIAL	WEIGHT	SCALE	REV
FOR INFORMATION ONLY NOT FOR MANUFACTURING PURPOSES			N/A	0.007 Kg	2:1	B