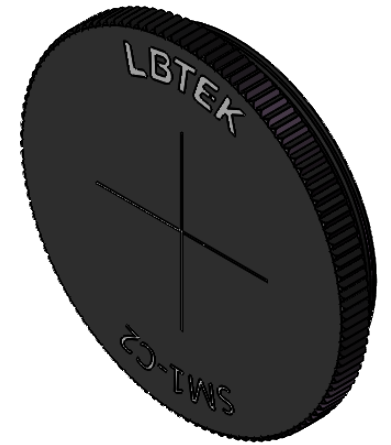
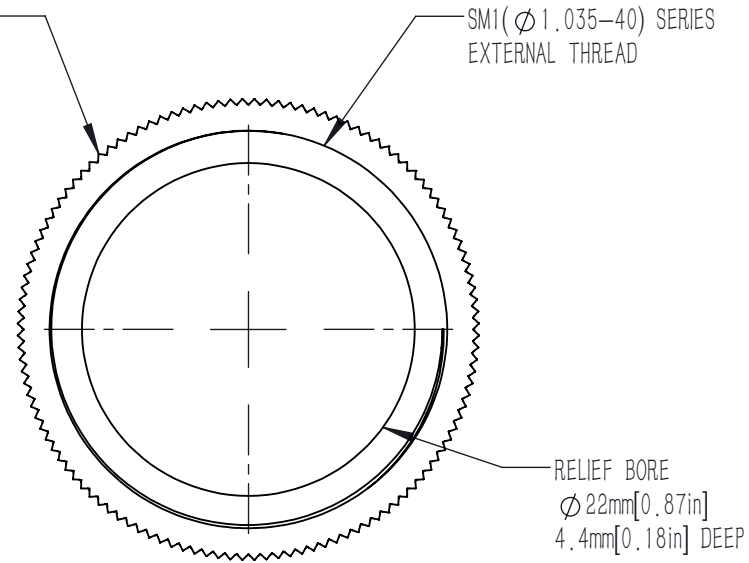


Ø 30.5mm [1.20in]
KNURLED SURFACE



DRAWING PROJECTION			LBTEK			
	NAME	DATE				
DRAWN	BYIN	JUN./25th/19	SM1 SERIES END CAP EXTERNAL THREADS			
APPROVAL	LDAI	JUN./25th/19	MATERIAL	WEIGHT	SCALE	REV
FOR INFORMATION ONLY NOT FOR MANUFACTURING PURPOSES			N/A	0.004 Kg	2:1	B