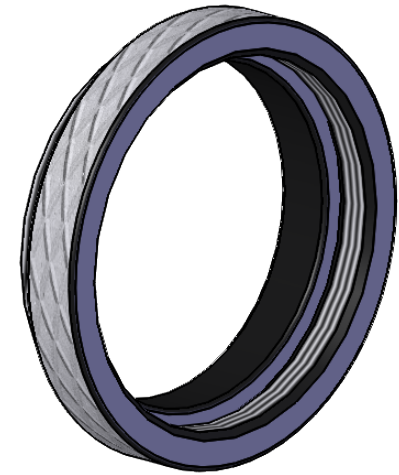
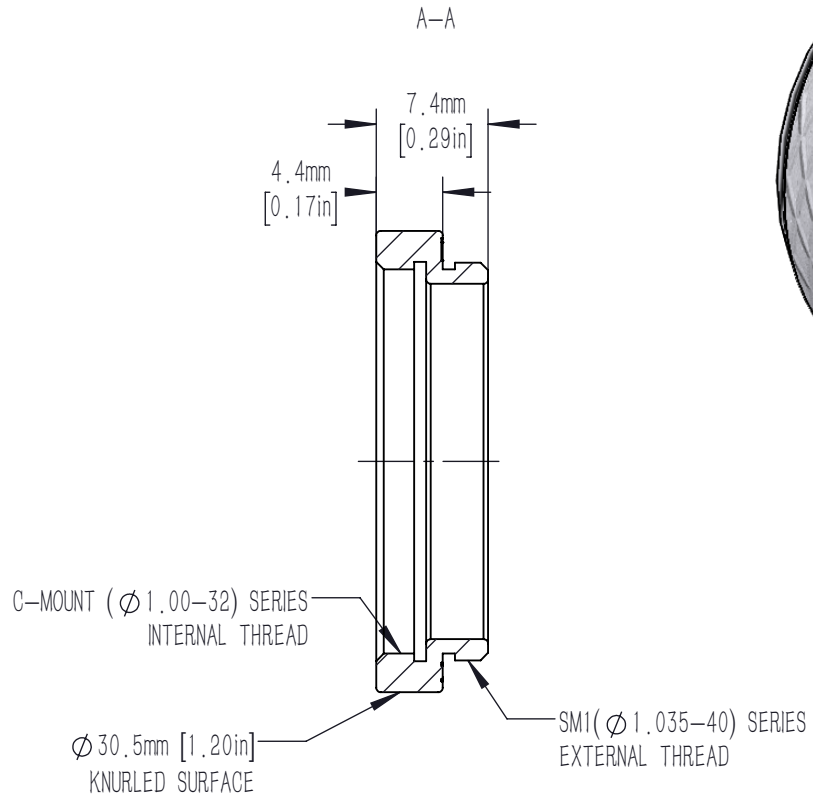
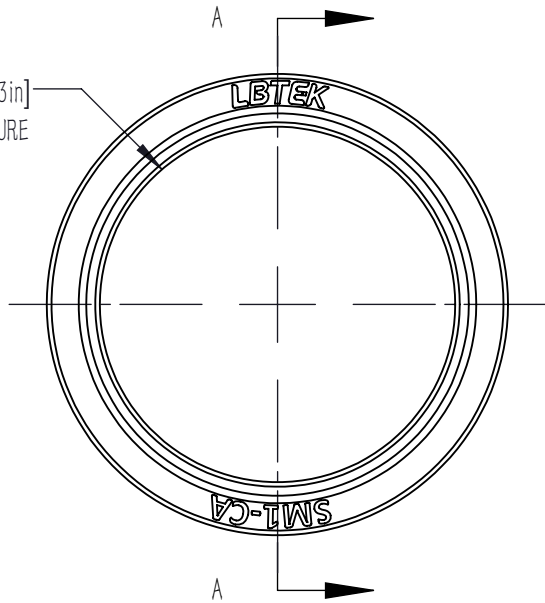


Ø 23.5mm [Ø 0.93in]
CLEAR APERTURE



DRAWING PROJECTION			LBTEK			
	NAME	DATE				
DRAWN	BYIN	JUN./25th/19	ADAPTER, INTERNAL C THREAD TO SM1 EXTERNAL THREAD			
APPROVAL	LDAI	JUN./25th/19	MATERIAL	WEIGHT	SCALE	REV
FOR INFORMATION ONLY NOT FOR MANUFACTURING PURPOSES			ALUMINIUM	0.01 Kg	2:1	B