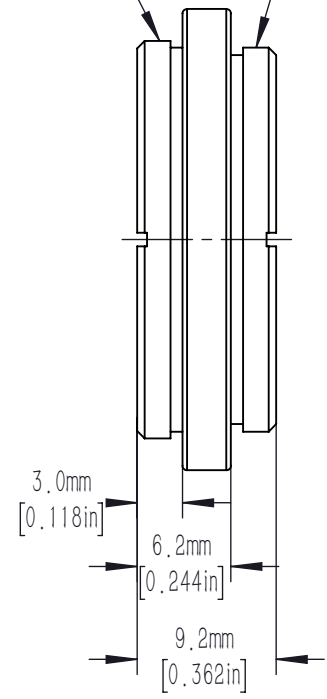


SM1 ($\phi 1.035-40$) SERIES
 EXTERNAL THREAD

C-MOUNT ($\phi 1.00-32$) SERIES
 EXTERNAL THREAD



DRAWING PROJECTION			LBTEK			
	NAME	DATE	SM1-CC			
DRAWN	BYIN	JUN./25th/19	ADAPTER, EXTERNAL C THREAD TO SM1 EXTERNAL THREAD			
APPROVAL	LDAI	JUN./25th/19	MATERIAL	WEIGHT	SCALE	REV
FOR INFORMATION ONLY NOT FOR MANUFACTURING PURPOSES			ALUMINIUM	0.004 Kg	2:1	B