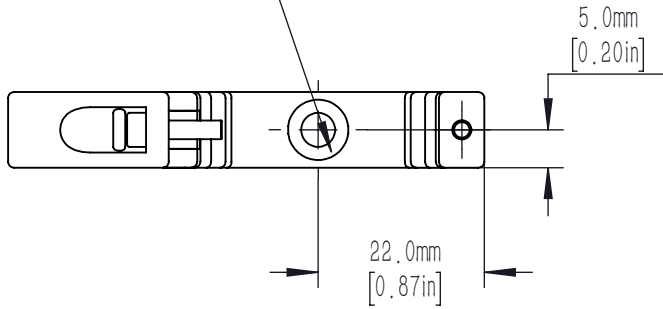
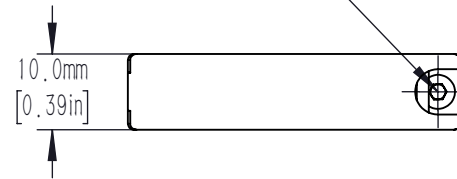


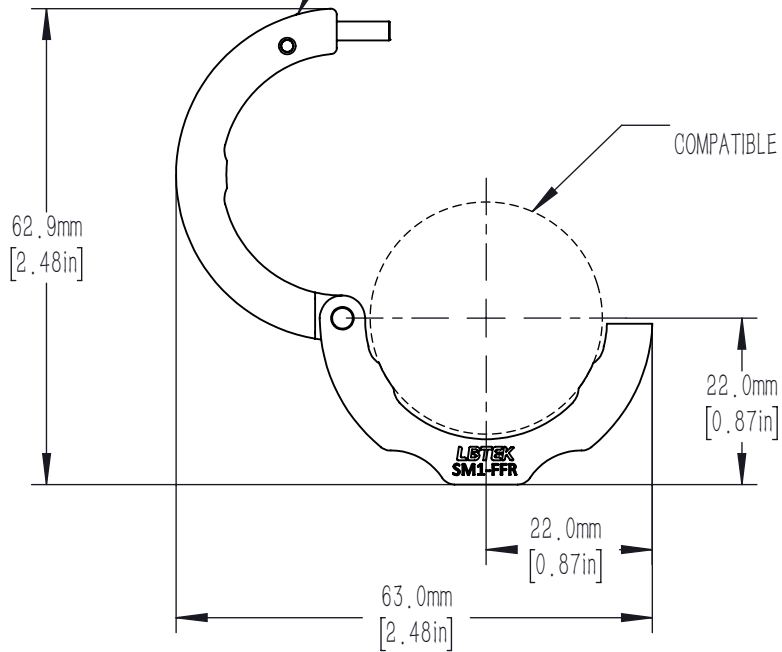
COUNTERBORE
FOR USE WITH M4 CAP SCREW



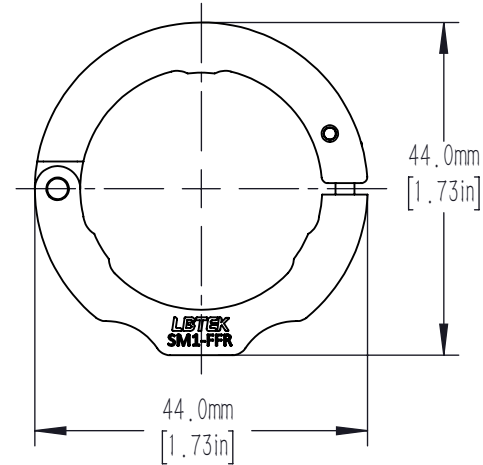
CAPTIVE LOCKING SCREW
FOR SECURING LENS TUBE
2mm HEX



OPEN-ARM DESIGN ALLOWS FOR EASY
DROP-IN INSTALLATION & REMOVAL
OF LENS TUBE FROM OPTICAL SETUP



Ø 30.7mm
[Ø 1.21in]
COMPATIBLE FOR SM1 SERIES LENS TUBE
(NOT INCLUDED)



DRAWING PROJECTION			LBTEK			
	NAME	DATE				
DRAWN	NEWT	JUN./15th/20	SM1 SERIES TUBE CLAMP			
APPROVAL	ZHE	JUN./15th/20	MATERIAL	WEIGHT	SCALE	REV
FOR INFORMATION ONLY NOT FOR MANUFACTURING PURPOSES			N/A	0.018 Kg	1:1	C