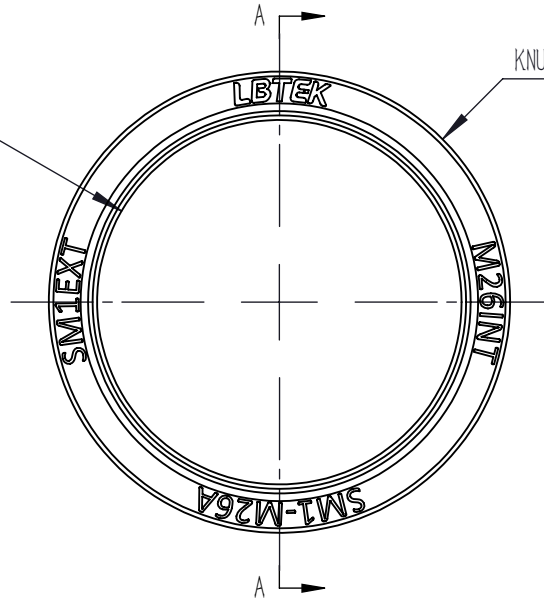


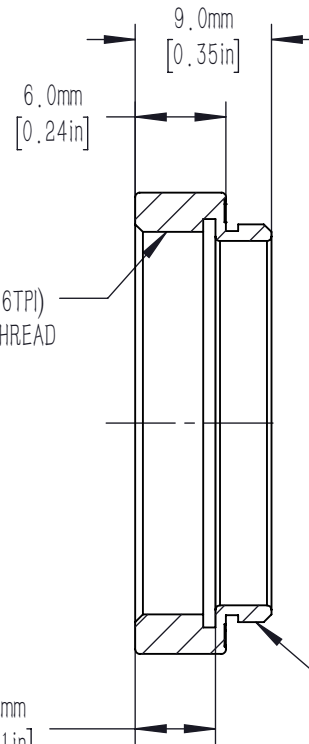
Ø 24.1mm
[0.95in]
CLEAR APERTURE



Ø 30.5mm
[1.20in]
KNURLED SURFACE

M26X0.706 (36TPI)
INTERNAL THREAD

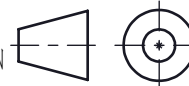
5.3mm
[0.21in]



SM1 [1.035"-40] SERIES
EXTERNAL THREAD



DRAWING
PROJECTION



LBTEK

NAME

DATE

SM1-M26A

DRAWN

YCH

NOV./20th/20

M26x0.706 TO SM1 ADAPTER

APPROVAL

ZHE

NOV./20th/20

MATERIAL

WEIGHT

SCALE

REV

FOR INFORMATION ONLY
NOT FOR MANUFACTURING PURPOSES

ALUMINUM

0.01 Kg

2:1

B