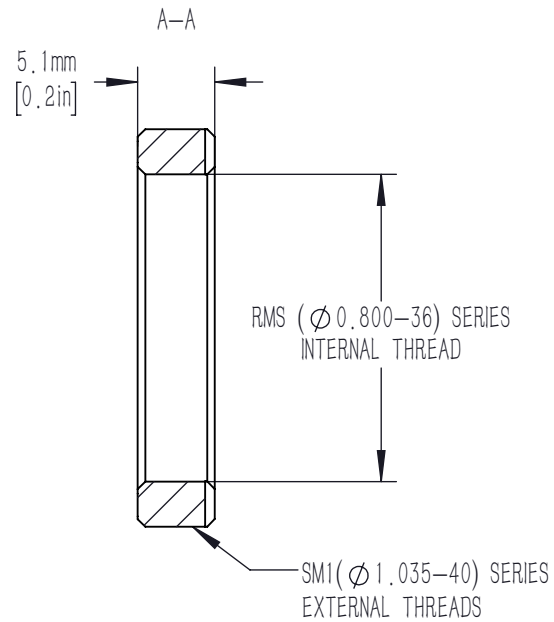
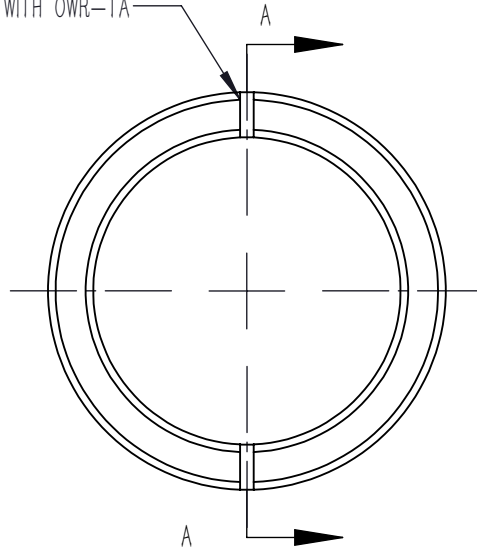


SPANNER SLOT FOR  
USE WITH OWR-1A



DRAWING PROJECTION			<b>LBTEK</b>			
	NAME	DATE	SM1-RMSA			
DRAWN	BYIN	JUN./25th/19	ADAPTER, SM1 EXTERNAL THREAD TO RMS INTERNAL THREAD			
APPROVAL	LDAI	JUN./25th/19	MATERIAL	WEIGHT	SCALE	REV
FOR INFORMATION ONLY NOT FOR MANUFACTURING PURPOSES			ALUMINIUM	0.01 Kg	2:1	B