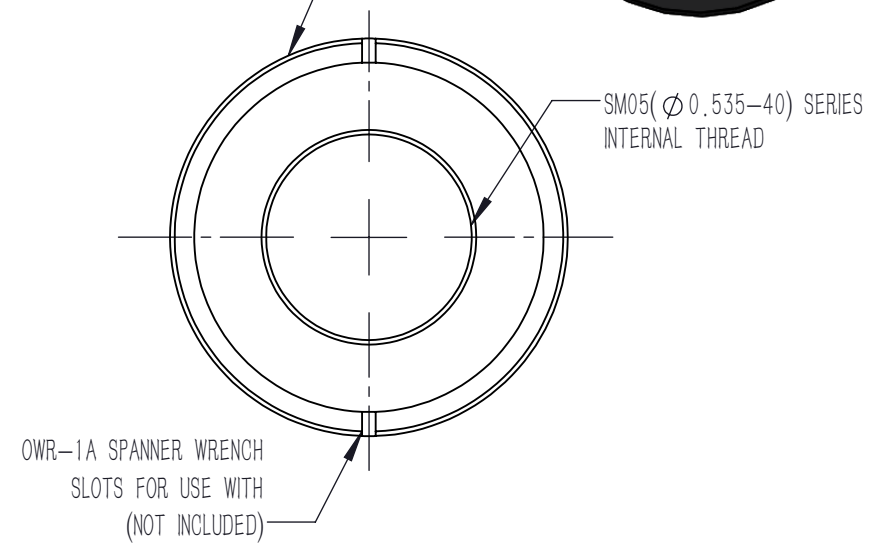


SM1($\phi 1.035-40$) SERIES
EXTERNAL THREAD

VIEW B



DRAWING PROJECTION			LBTEK			
	NAME	DATE				
DRAWN	BYIN	JUN./25th/19	ADAPTER, SM1 EXTERNAL THREAD TO SM05 INTERNAL THREAD			
APPROVAL	LDAI	JUN./25th/19	MATERIAL	WEIGHT	SCALE	REV
FOR INFORMATION ONLY NOT FOR MANUFACTURING PURPOSES			ALUMINIUM	0.003 Kg	2:1	B