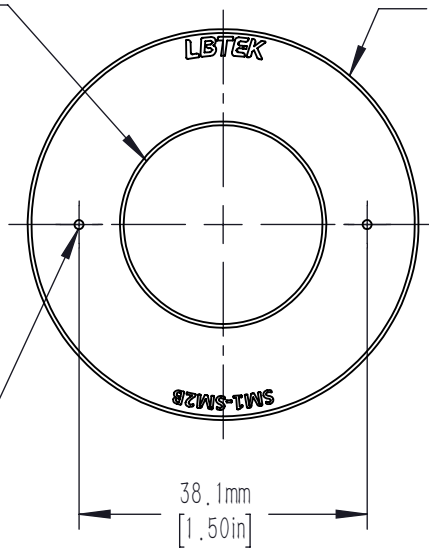
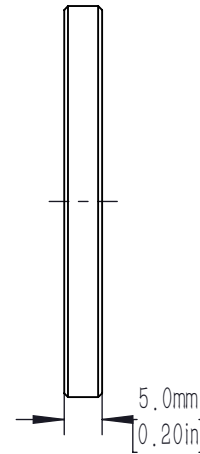


SM1 (Ø 1.035-40) SERIES
INTERNAL THREAD

SM2 (Ø 2.035-40) SERIES
EXTERNAL THREAD



Ø 1.2mm [Ø 0.05in] SPANNER HOLES
FOR USING WITH OWR-1A
2 PLACES BOTH SIDES



DRAWING PROJECTION			LBTEK			
	NAME	DATE	SM1-SM2B			
DRAWN	BYIN	JUN./25th/19	ADAPTER, SM2 EXTERNAL THREAD TO SM1 INTERNAL THREAD			
APPROVAL	LDAI	JUN./25th/19	MATERIAL	WEIGHT	SCALE	REV
FOR INFORMATION ONLY NOT FOR MANUFACTURING PURPOSES			ALUMINIUM	0.02 Kg	1:1	B