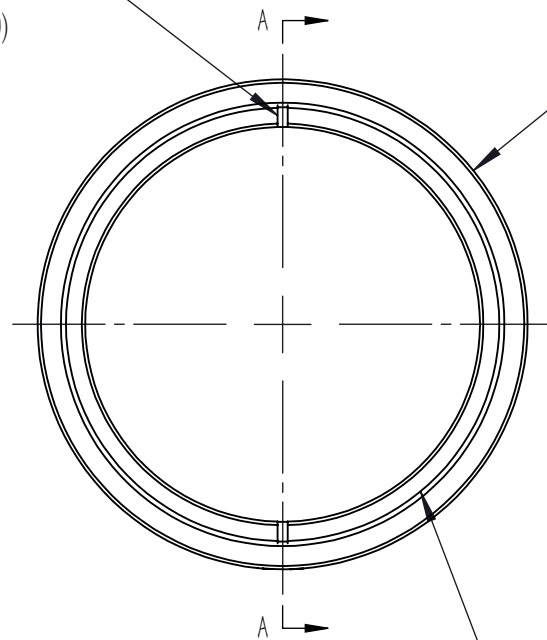


SPANNER WRENCH SLOTS
FOR USING WITH OWR-U
(NOT INCLUDED)

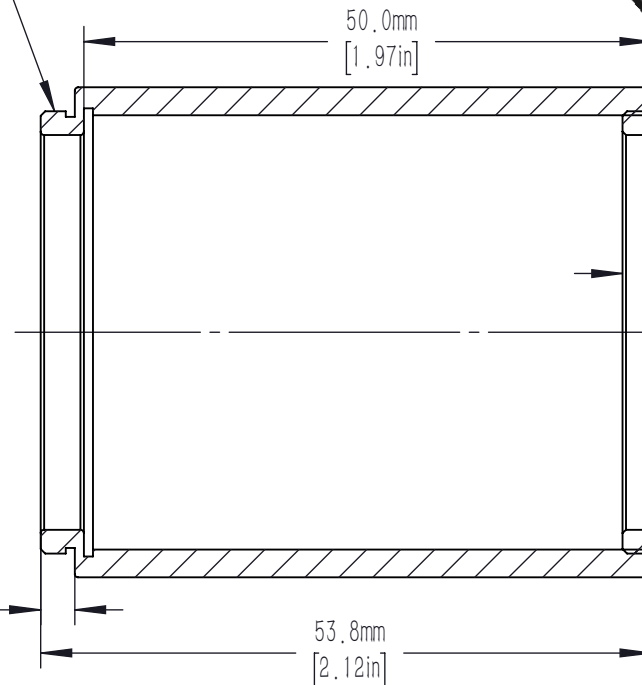


SM1.5($\phi 1.535''-40$) SERIES
EXTERNAL THREAD

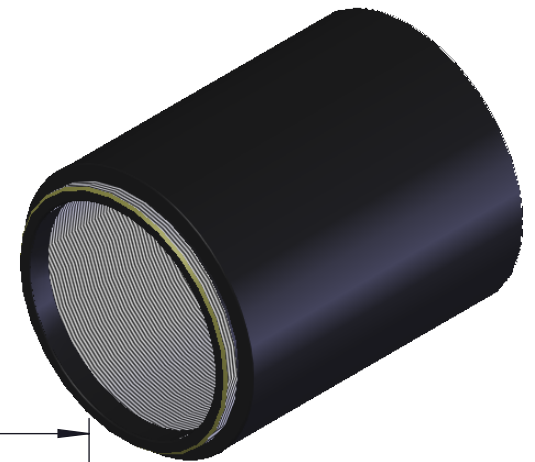
$\phi 43.2\text{mm}$
[1.70in]

SM1.5($\phi 1.535''-40$) SERIES
INTERNAL THREAD
1 SM1.5R RETAINING RING INCLUDED
 $\phi 34.8\text{mm}$ [$\phi 1.37\text{in}$] CLEAR APERTURE

3.0mm
[0.12in]



A-A



2.5mm
[0.10in]

DRAWING PROJECTION			LBTEK			
	NAME	DATE				
DRAWN	YCH	MAR./24th/21	SM1.5 LENS TUBE, 50mm DEEP			
APPROVAL	WCH	MAR./24th/21	MATERIAL	WEIGHT	SCALE	REV
FOR INFORMATION ONLY NOT FOR MANUFACTURING PURPOSES			ALUMINUM	0.050 Kg	1.5:1	B