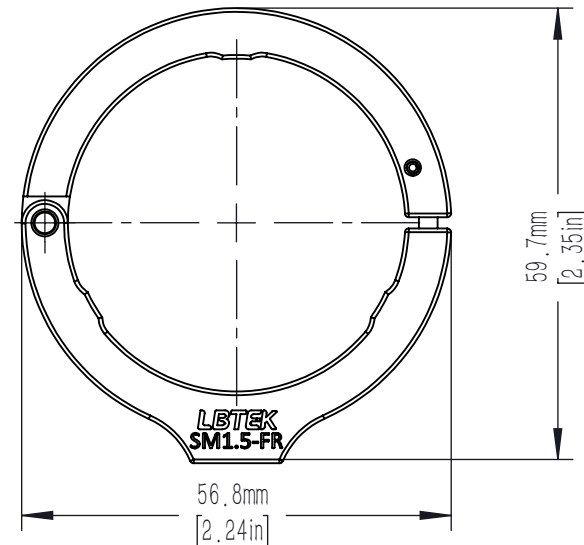
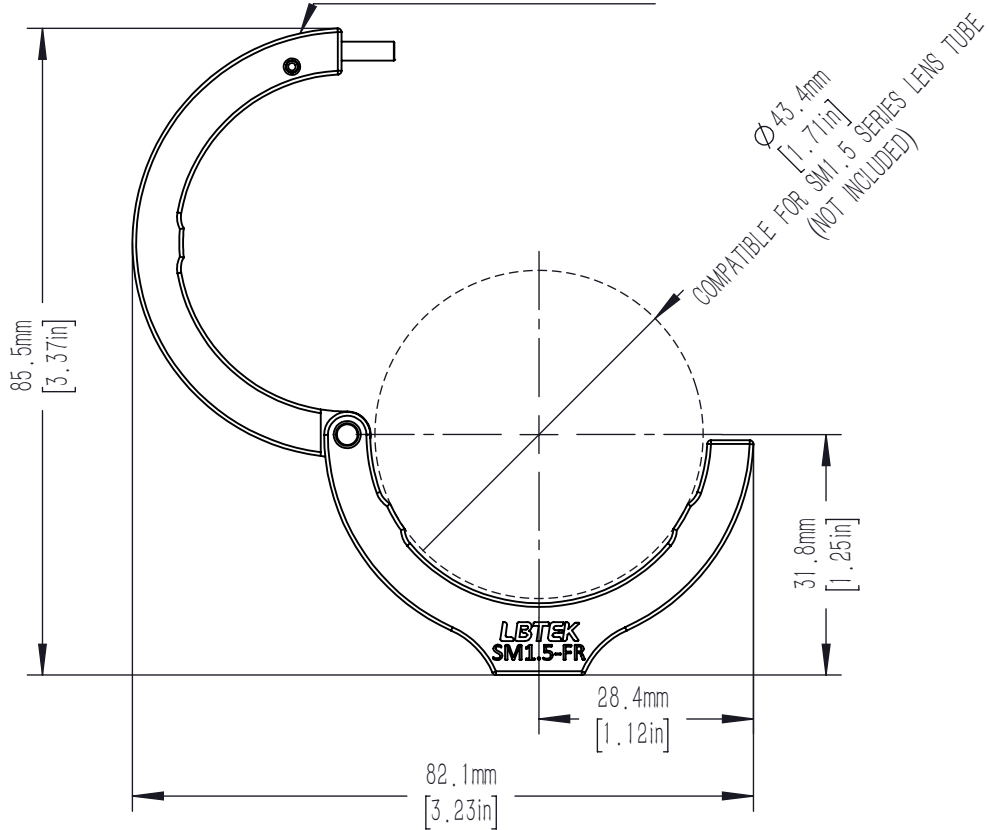
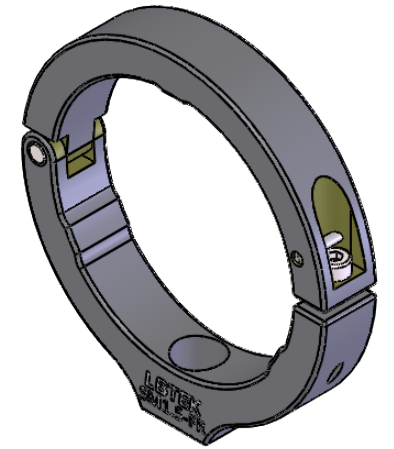


OPEN-ARM DESIGN ALLOWS FOR EASY
DROP-IN INSTALLATION & REMOVAL
OF LENS TUBE FROM OPTICAL SETUP



DRAWING PROJECTION			LBTEK			
	NAME	DATE				
DRAWN	PCHEN	Dec./19th/25	SM1.5 SERIES TUBE CLAMP			
APPROVAL	YHLI	Dec./19th/25	MATERIAL	WEIGHT	SCALE	REV
FOR INFORMATION ONLY NOT FOR MANUFACTURING PURPOSES			N/A	0.027 Kg	1:1	A

FOR INFORMATION ONLY
NOT FOR MANUFACTURING PURPOSES