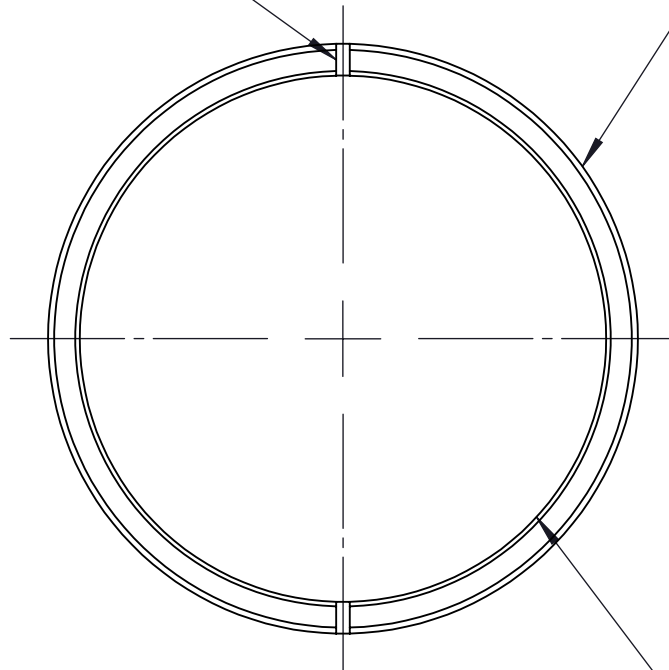


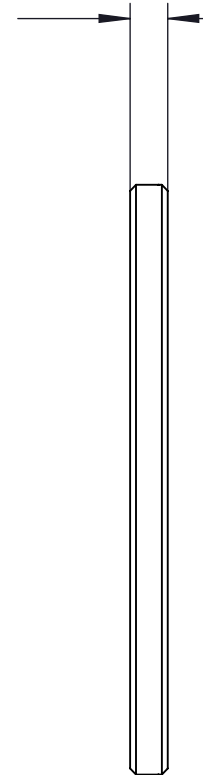
SPANNER WRENCH SLOTS
FOR USE WITH OWR-U



SM1.5 (Ø 1.535" - 40) SERIES
EXTERNAL THREAD

Ø 34.8mm [Ø 1.37in]
CLEAR APERTURE

2.5mm
[0.10in]



DRAWING PROJECTION			LBTEK			
	NAME	DATE				
DRAWN	YCH	MAR./24th/21	SM1.5 SERIES RETAINING RING			
APPROVAL	WCH	MAR./24th/21	MATERIAL	WEIGHT	SCALE	REV
FOR INFORMATION ONLY NOT FOR MANUFACTURING PURPOSES			ALUMINIUM	0.01 Kg	2:1	B