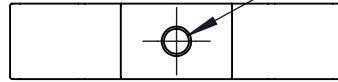
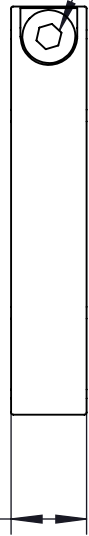


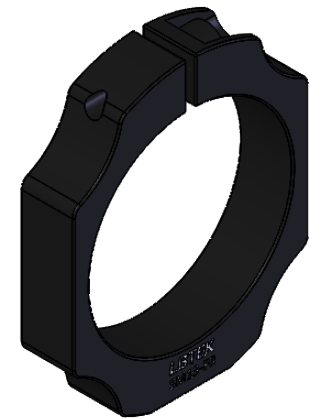
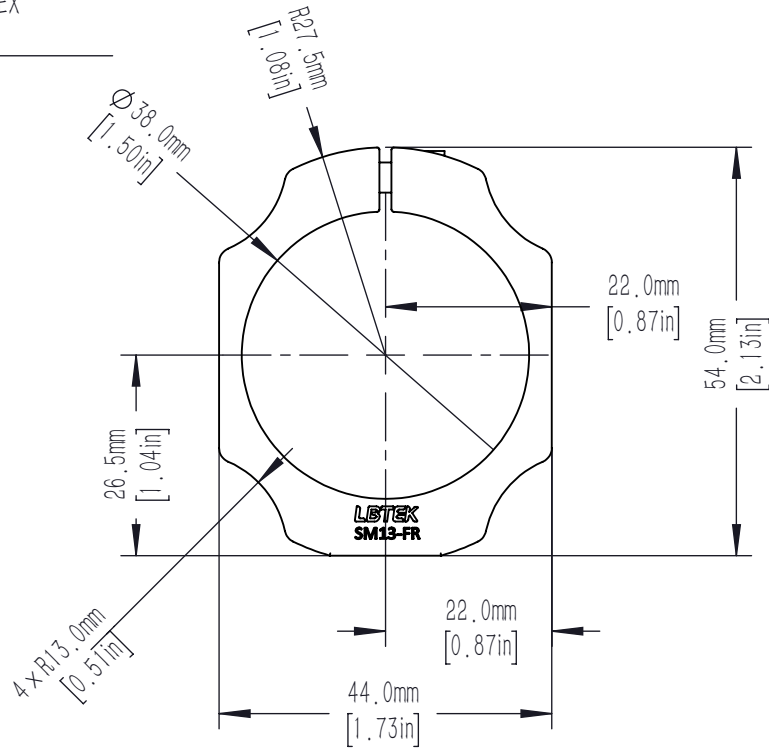
M4x0.7 MOUNTING HOLE  
 4.5mm [0.17in] DEEP  
 1 PLACE



M4x0.7 LOCKING SET SCREW  
 3mm [0.12in] HEX  
 1 PLACE



10.0mm  
 [0.39in]



DRAWING PROJECTION			<b>LBTEK</b>			
	NAME	DATE				
DRAWN	ZZH	NOV./16th/23	INNER DIAMETER 38mm FIXED RING			
APPROVAL	HDE	NOV./16th/23	MATERIAL	WEIGHT	SCALE	REV
FOR INFORMATION ONLY NOT FOR MANUFACTURING PURPOSES			N/A	0.021 Kg	1:1	B