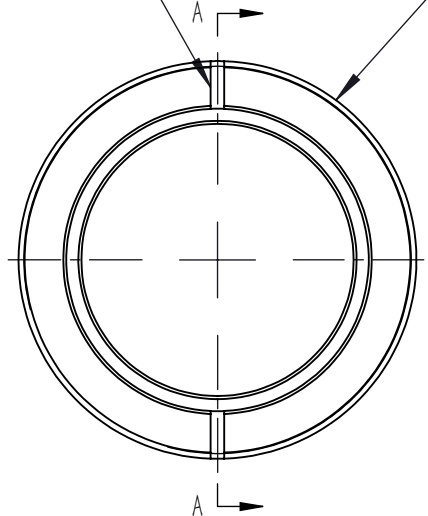
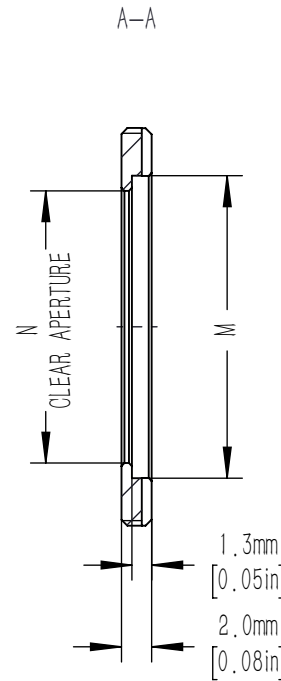


SPANNER WRENCH SLOTS
FOR USE WITH OWR-1A



SM1 (Ø 1.035-40) SERIES
EXTERNAL THREAD



NOTE: PLEASE INSTALL LENS VERTICALLY
TO AVOID LENS FALLING AND DAMAGING.

NO.	ITEM	M/mm[in]	N/mm[in]	RING WEIGHT/g	RING NUMBER
1	SM1D15	15[0.59]	13[0.51]	5.8	2
2	SM1D18	18[0.71]	16[0.63]	4.6	2
3	SM1D20	20[0.79]	18[0.71]	3.7	2

DRAWING PROJECTION			LBTEK			
	NAME	DATE				
DRAWN	ZHE	APR./28th/20	SM1 SERIES RETAINING RING			
APPROVAL	YCH	APR./28th/20	MATERIAL	WEIGHT	SCALE	REV
FOR INFORMATION ONLY NOT FOR MANUFACTURING PURPOSES			N/A	- g	2:1	A