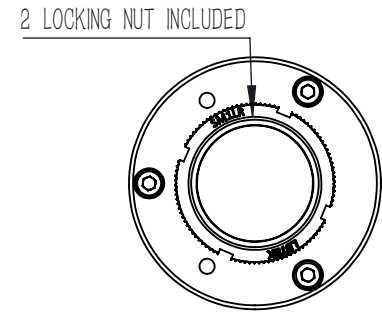
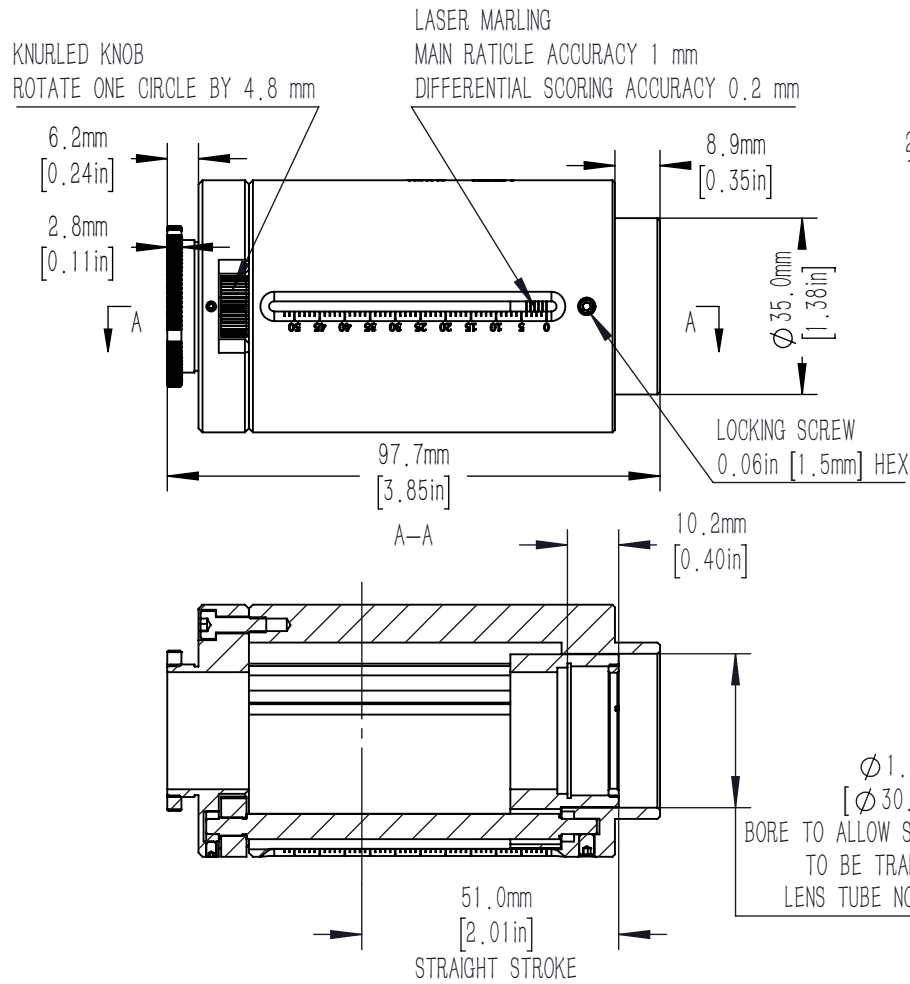
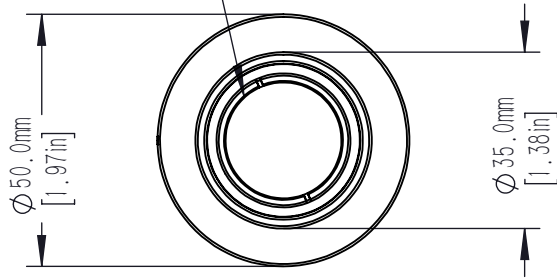


SM1 (Ø 1.035-40) SERIES
 INTERNAL THREAD
 1 SM1R RETAINING RING INCLUDED
 Ø 23.0mm [0.91in] CLEAR APERTURE



DRAWING PROJECTION			LBTEK			
	NAME	DATE				
DRAWN	CZH	APR./11th/23	TELESCOPIC SLEEVE			
APPROVAL	ZXU	APR./11th/23	MATERIAL	WEIGHT	SCALE	REV
FOR INFORMATION ONLY NOT FOR MANUFACTURING PURPOSES			N/A	0.264 Kg	2.3	B